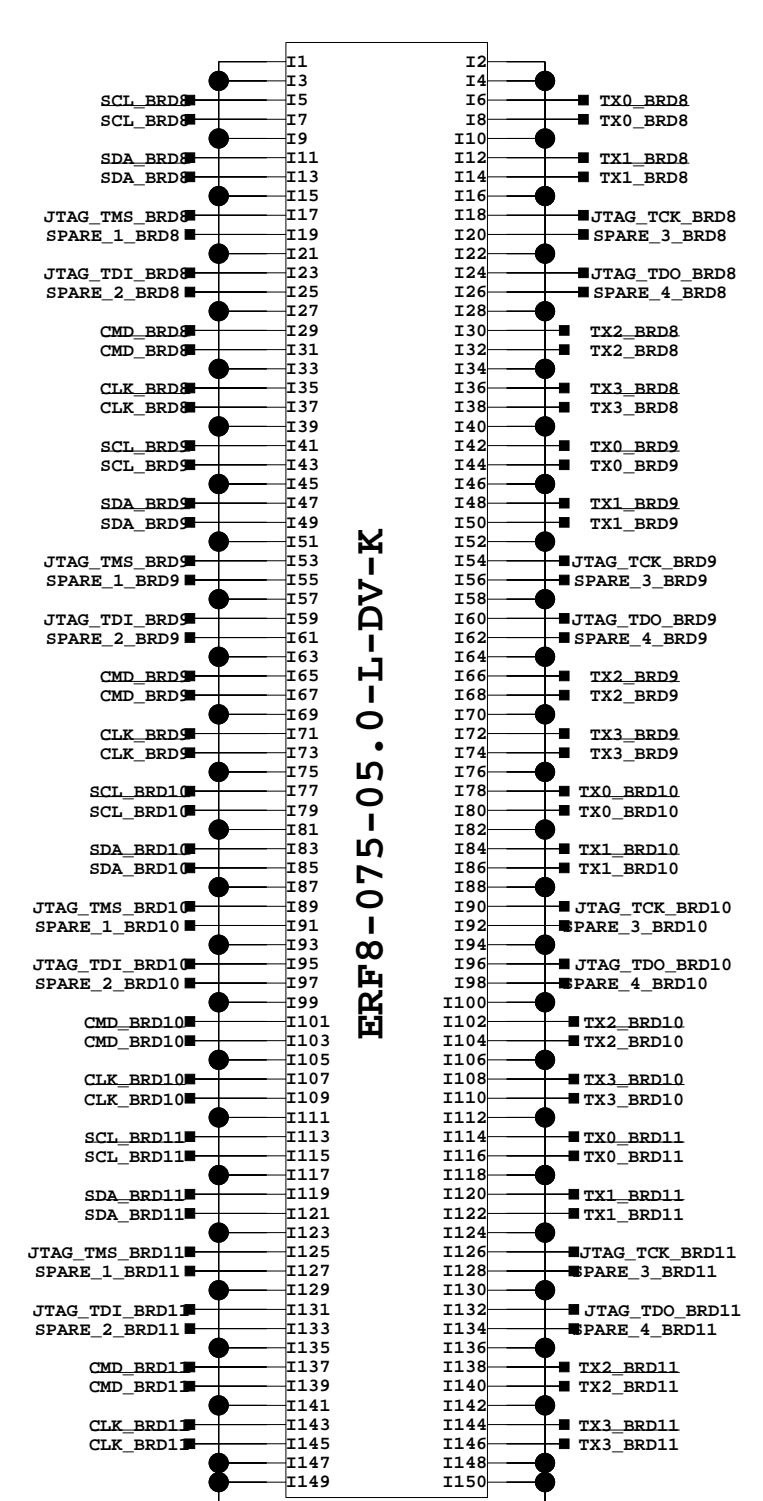


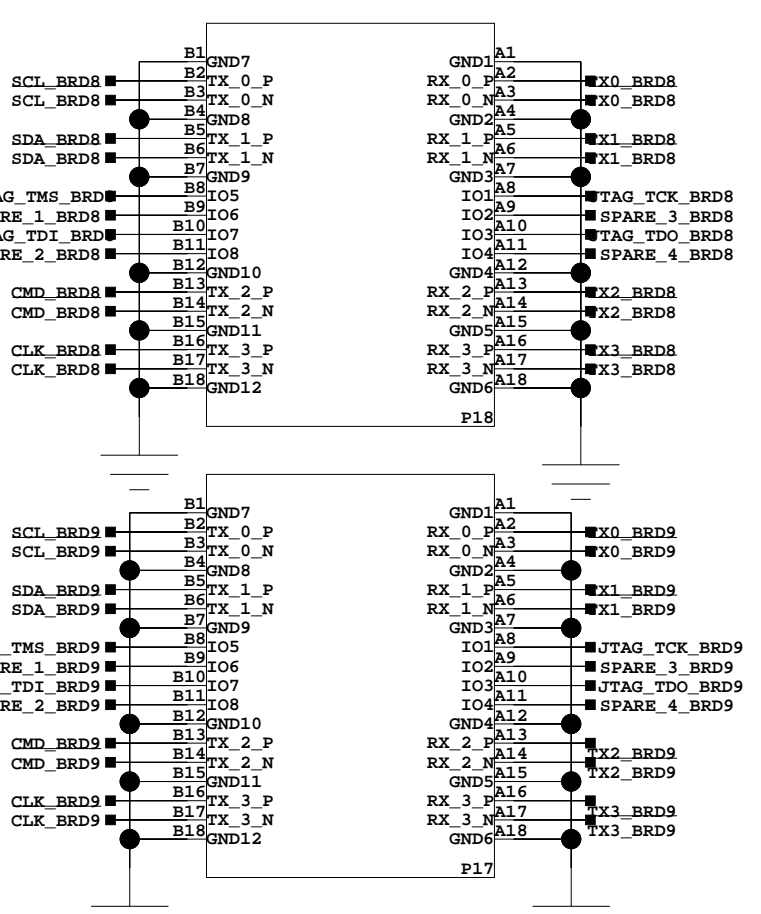
BROOKHAVEN NATIONAL LABORATORY
INSTRUMENTATION DIVISION

SBND_FLANGE SEC_A-B

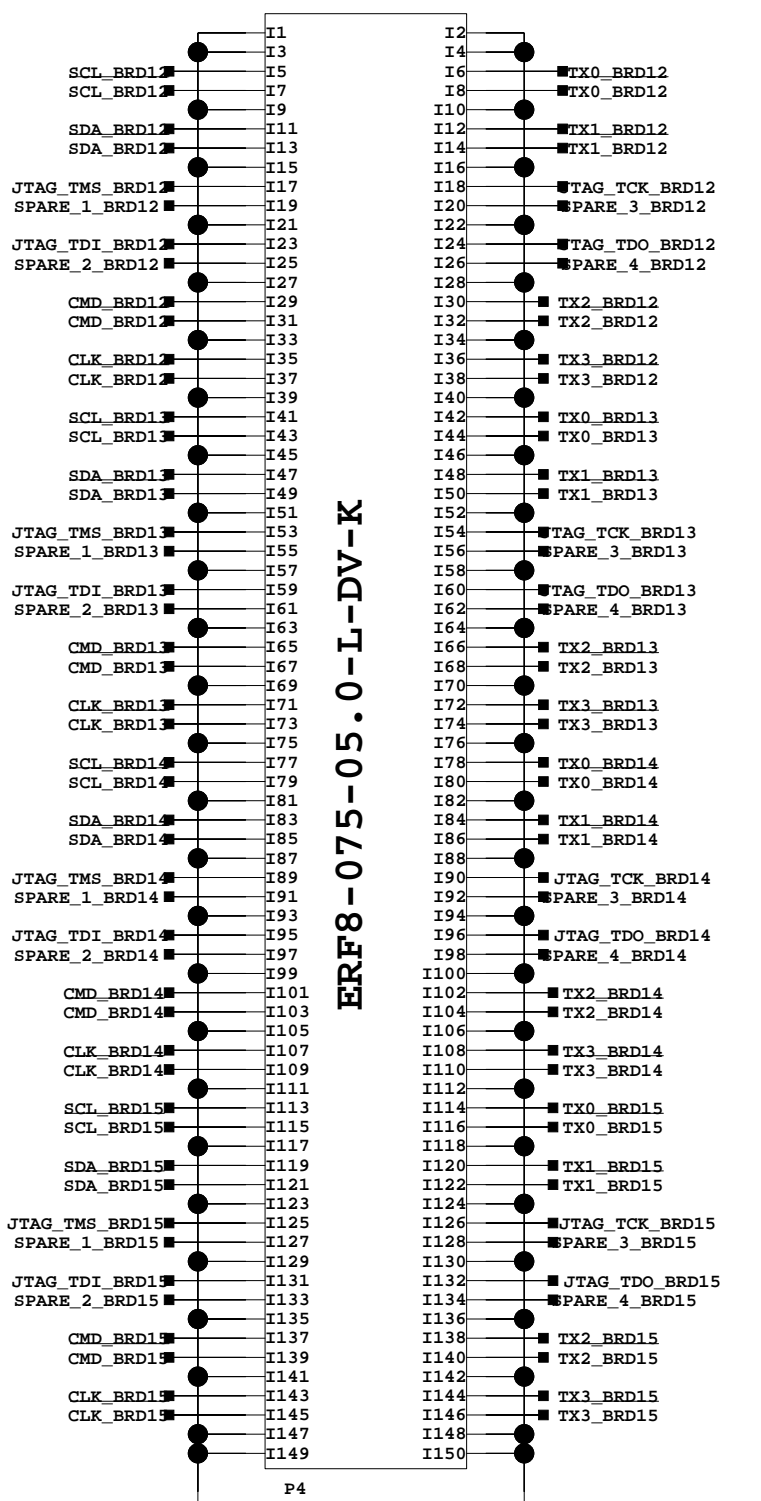
Date: 15/03/2018:13:40 DRAWN BY: Jack Fried



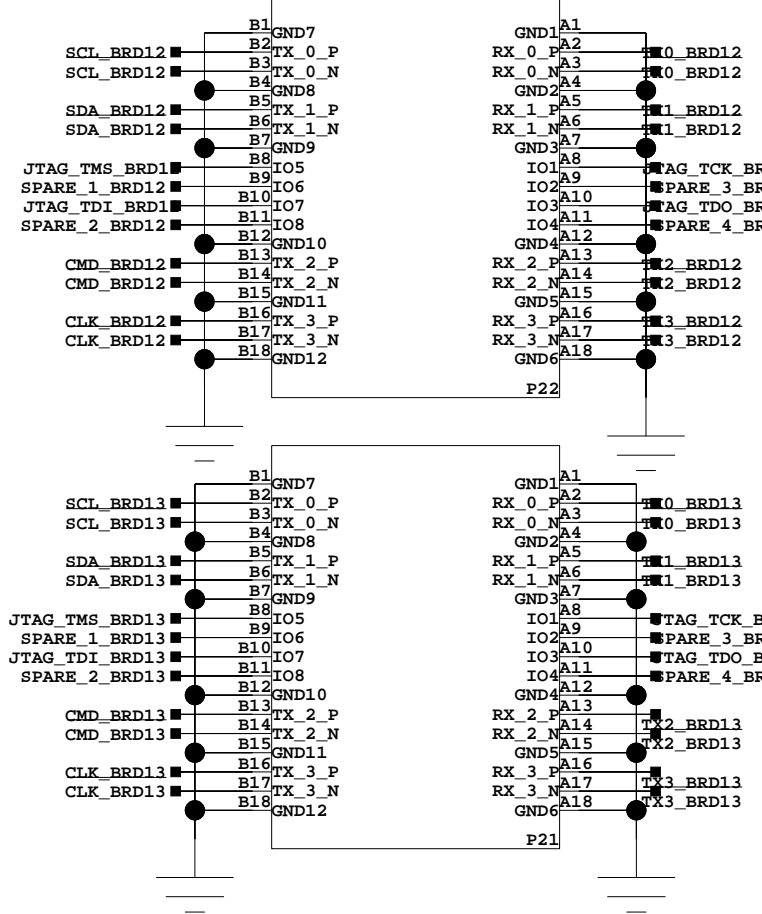
ERF8-075-05.0-L-DV-K



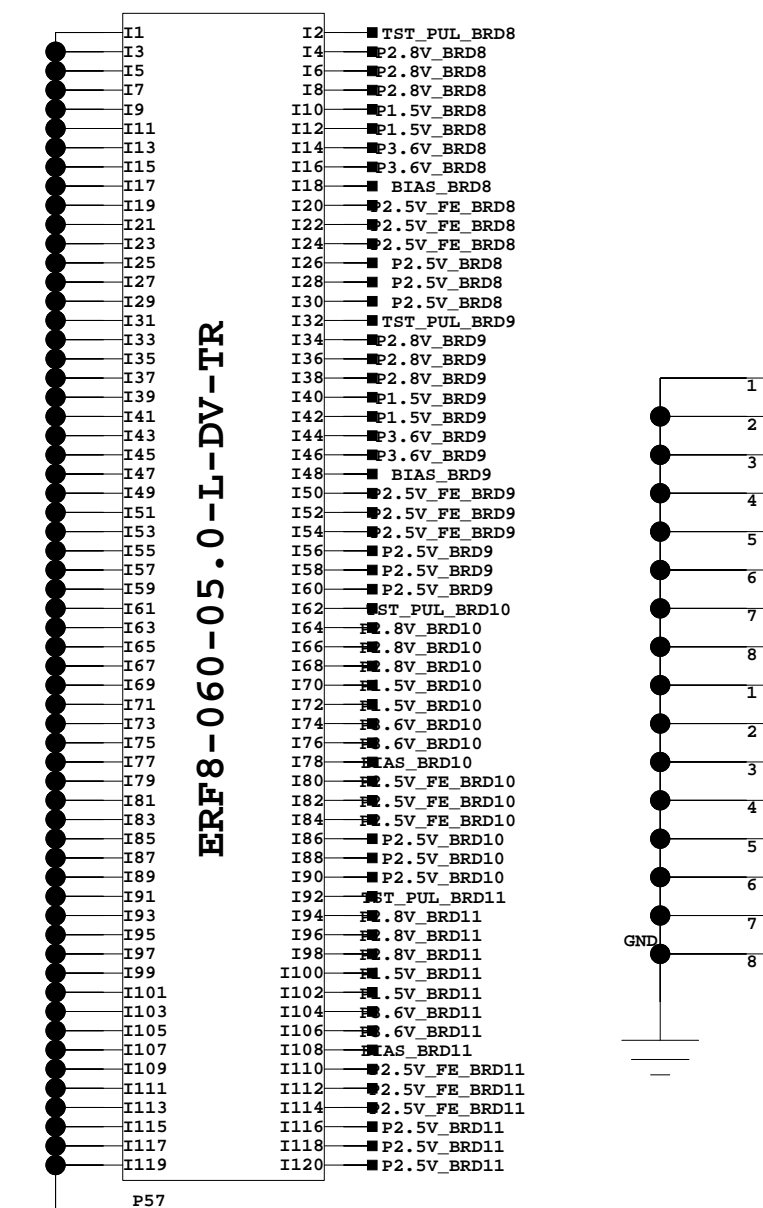
ERF8-075-05.0-L-DV-K



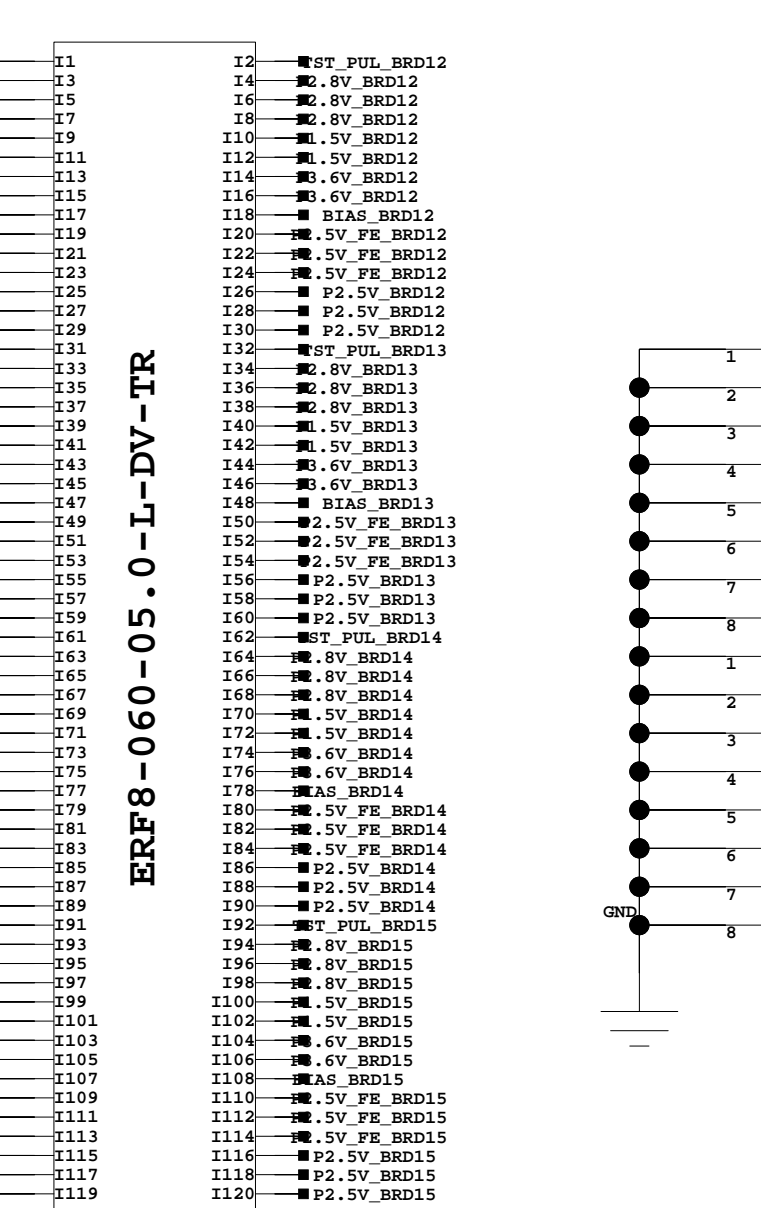
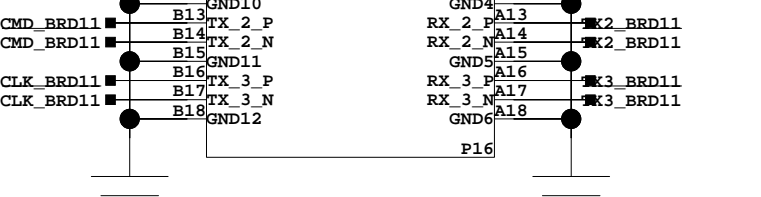
ERF8-075-05.0-L-DV-K



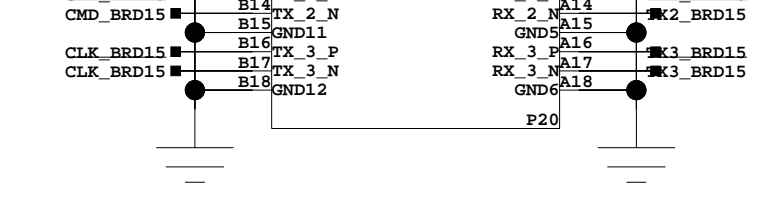
ERF8-075-05.0-L-DV-K



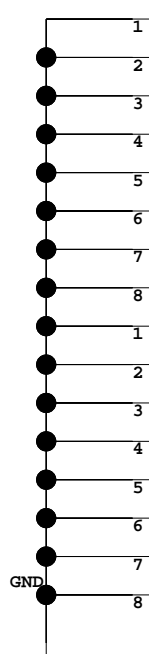
ERF8-060-05.0-L-DV-TR



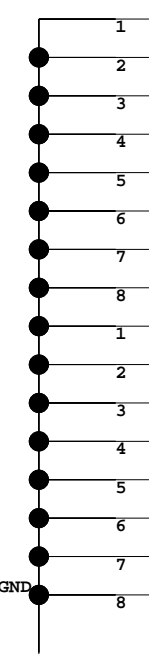
ERF8-060-05.0-L-DV-TR



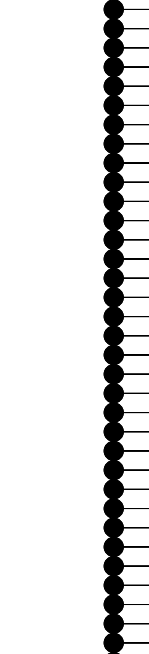
ERF8-060-05.0-L-DV-TR



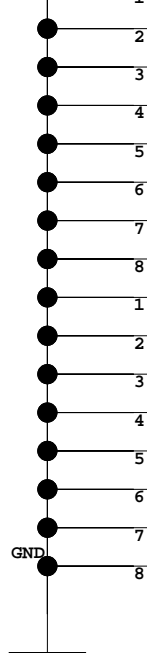
P40



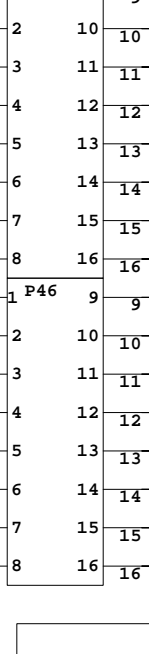
P39



P42



P45

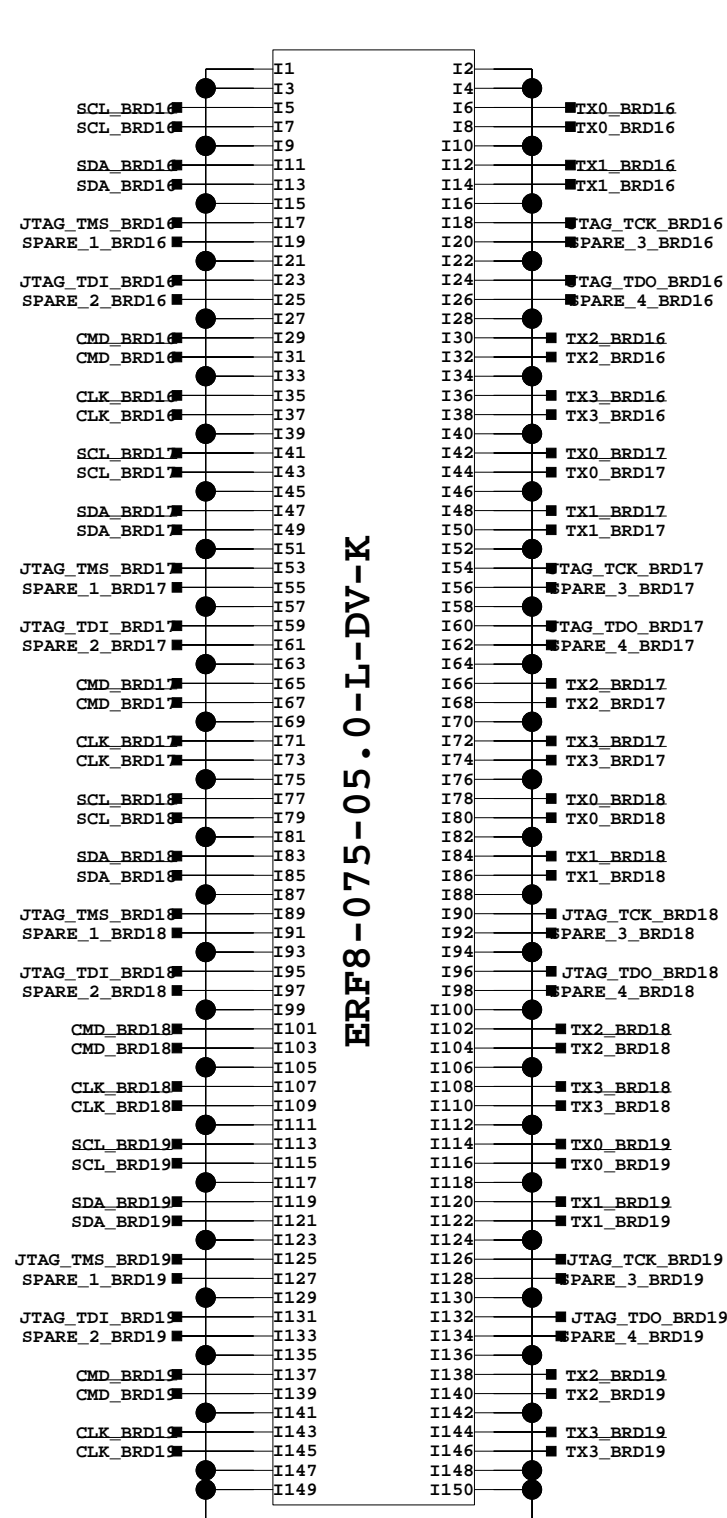


P46

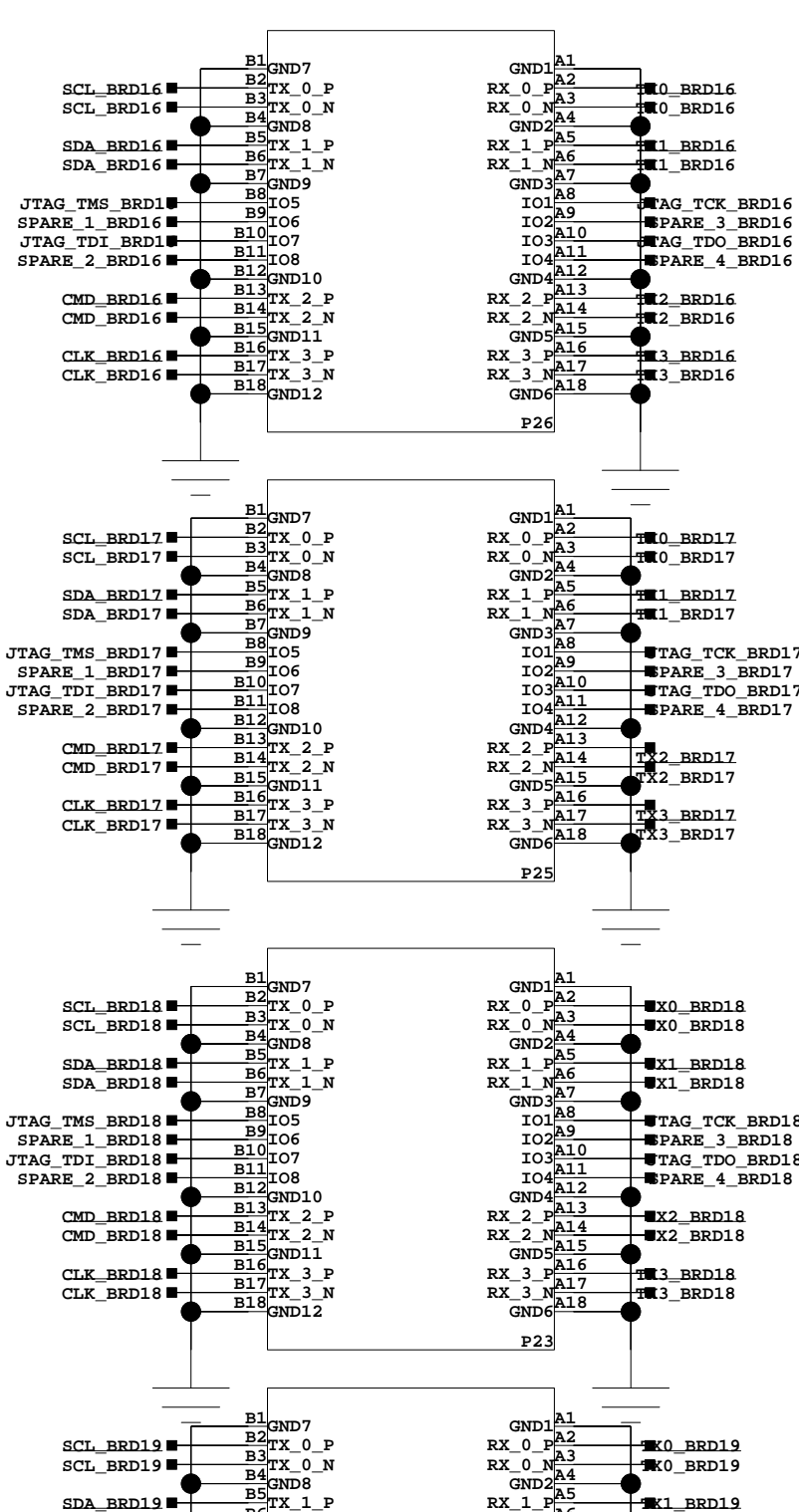
BROOKHAVEN NATIONAL LABORATORY
INSTRUMENTATION DIVISION

SBND_FLANGE SEC C-D

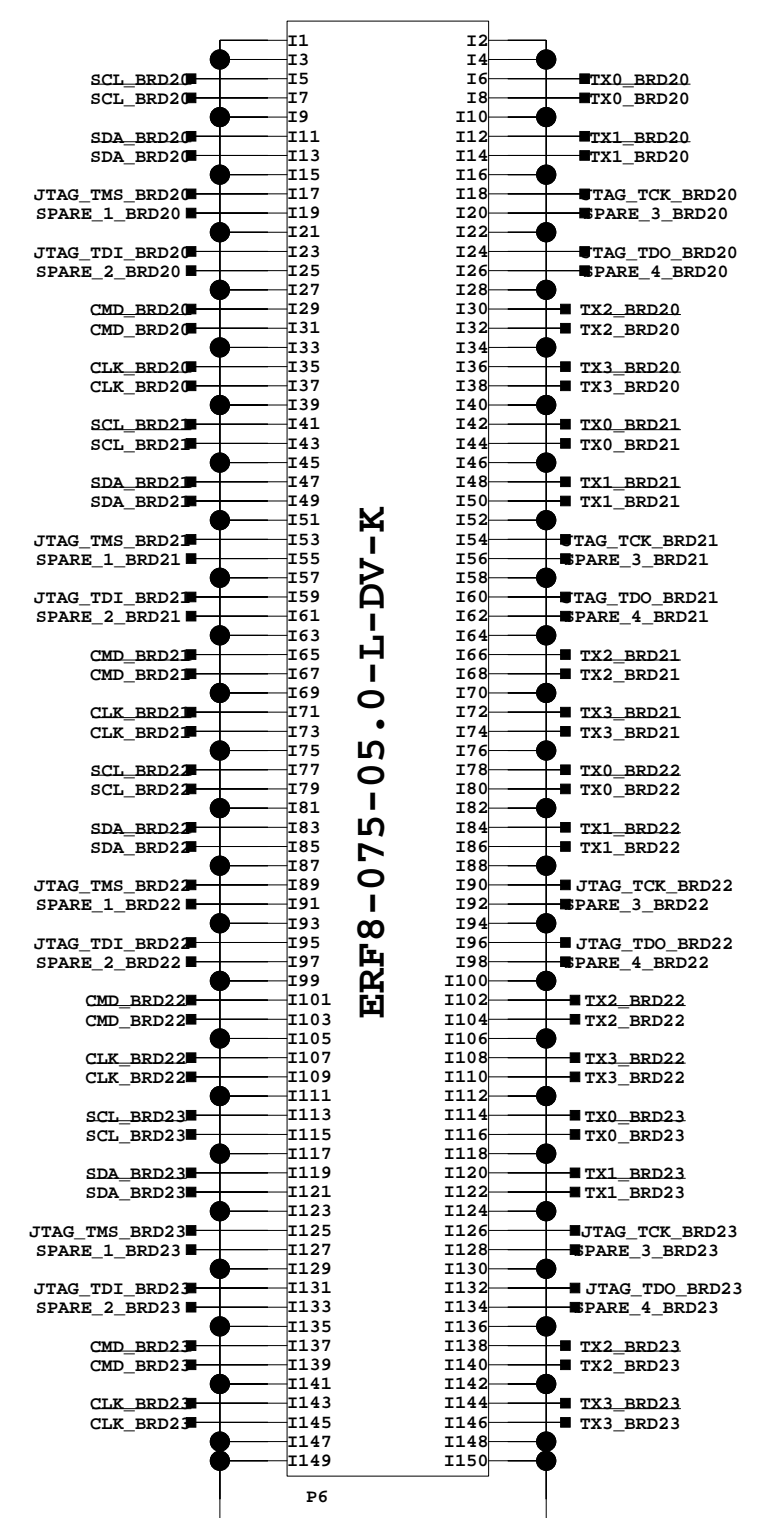
Date: 15/03/2018:13:29
DRAWN BY: Jack Fried



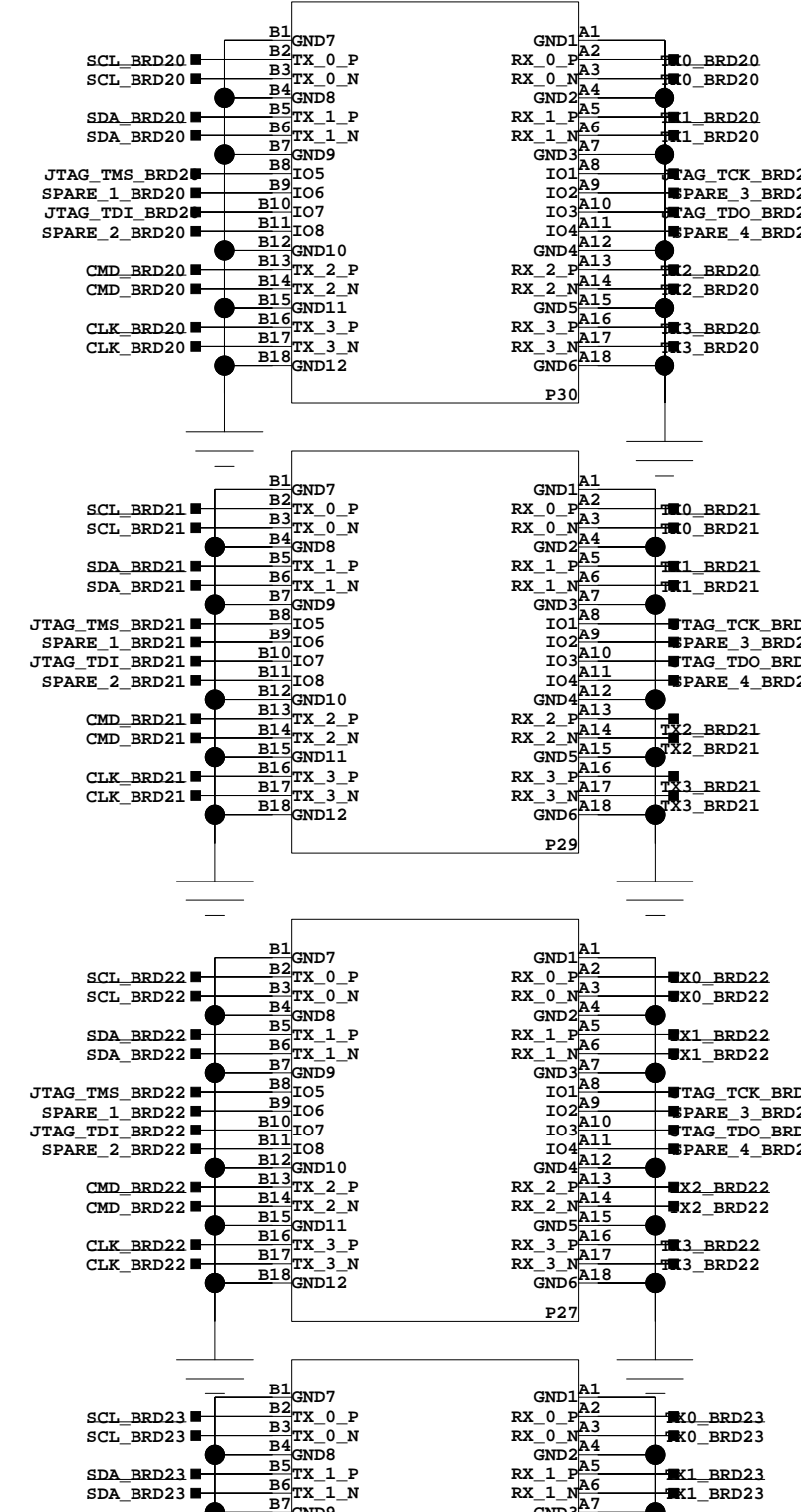
ERF8-075-05.0-L-DV-K



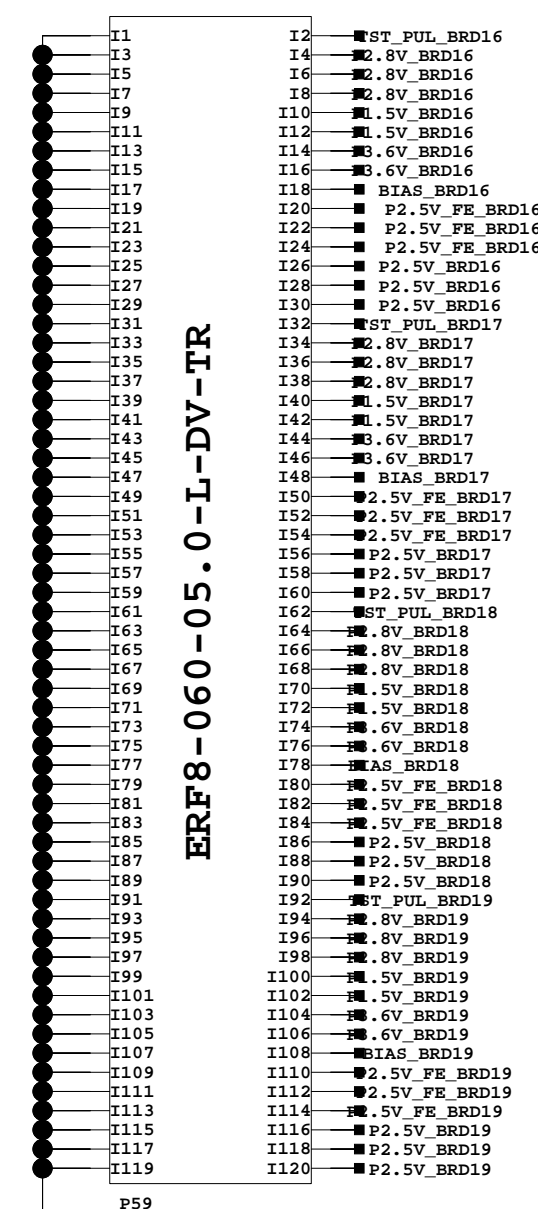
ERF8-075-05.0-L-DV-K



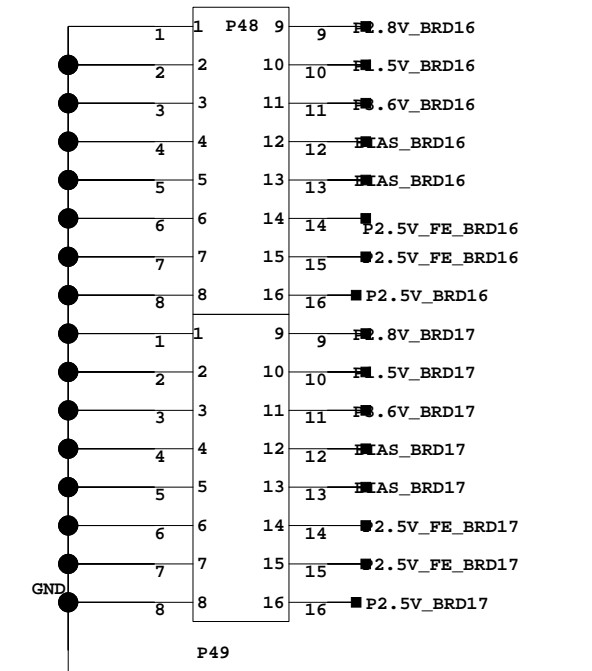
ERF8-075-05.0-L-DV-K



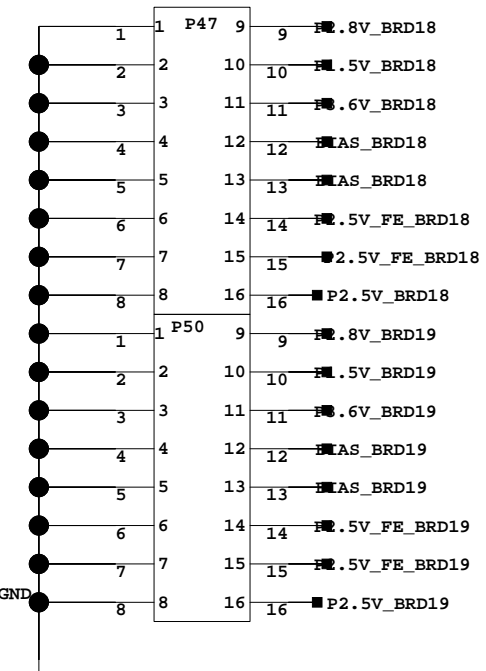
ERF8-075-05.0-L-DV-K



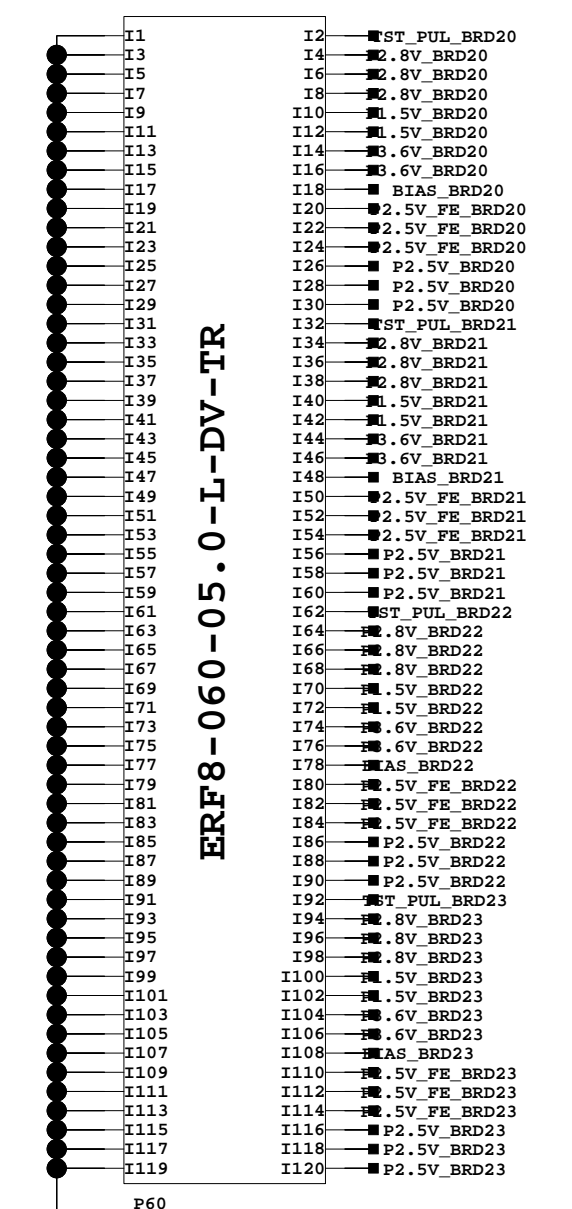
ERF8-060-05.0-L-DV-TR



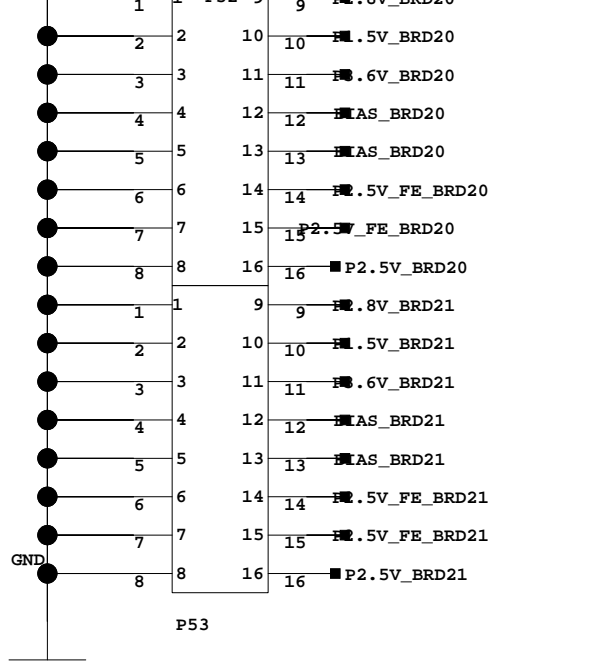
P48



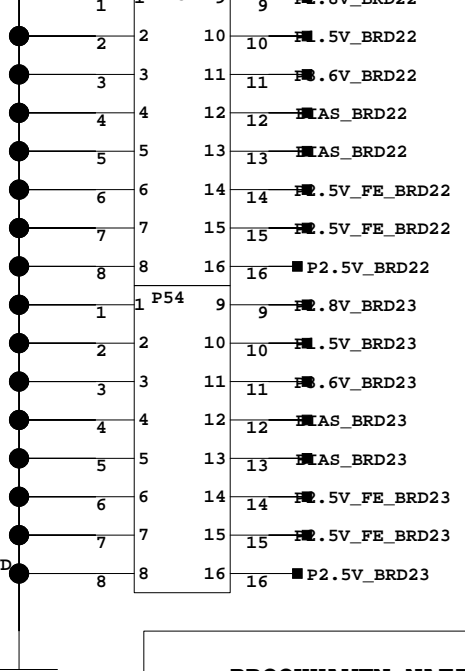
P47



ERF8-060-05.0-L-DV-TR



P52



P51

BROOKHAVEN NATIONAL LABORATORY
INSTRUMENTATION DIVISION

SBND_FLANGE SEC_E-F

Date: 15/03/2018:13:29

DRAWN BY: Jack Fried