

A

B

C

D

E

F

4

4

QUAD SOCKETS ADC ASIC TESTER

TABLE OF CONTENTS

- SHEET 1: FPGA Mezzanine Connector
- SHEET 2: Board PWR & MISC
- SHEET 3: ADC ASIC SOCKET 1
- SHEET 4: ADC ASIC 1 PWR Monitor & TP
- SHEET 5: ADC ASIC SOCKET 2
- SHEET 6: ADC ASIC 2 PWR Monitor & TP
- SHEET 7: ADC ASIC SOCKET 3
- SHEET 8: ADC ASIC 3 PWR Monitor & TP
- SHEET 9: ADC ASIC SOCKET 4
- SHEET 10: ADC ASIC 4 PWR Monitor & TP

3

3

2

2

1

1

COMPANY			
BROOKHAVEN NATIONAL LABORATORY			
TITLE			
SIZE	B	REV	SHEET
COVER		DATE	OF
DRAWN BY: Jack Fried		08/11/2017:12:21	

A

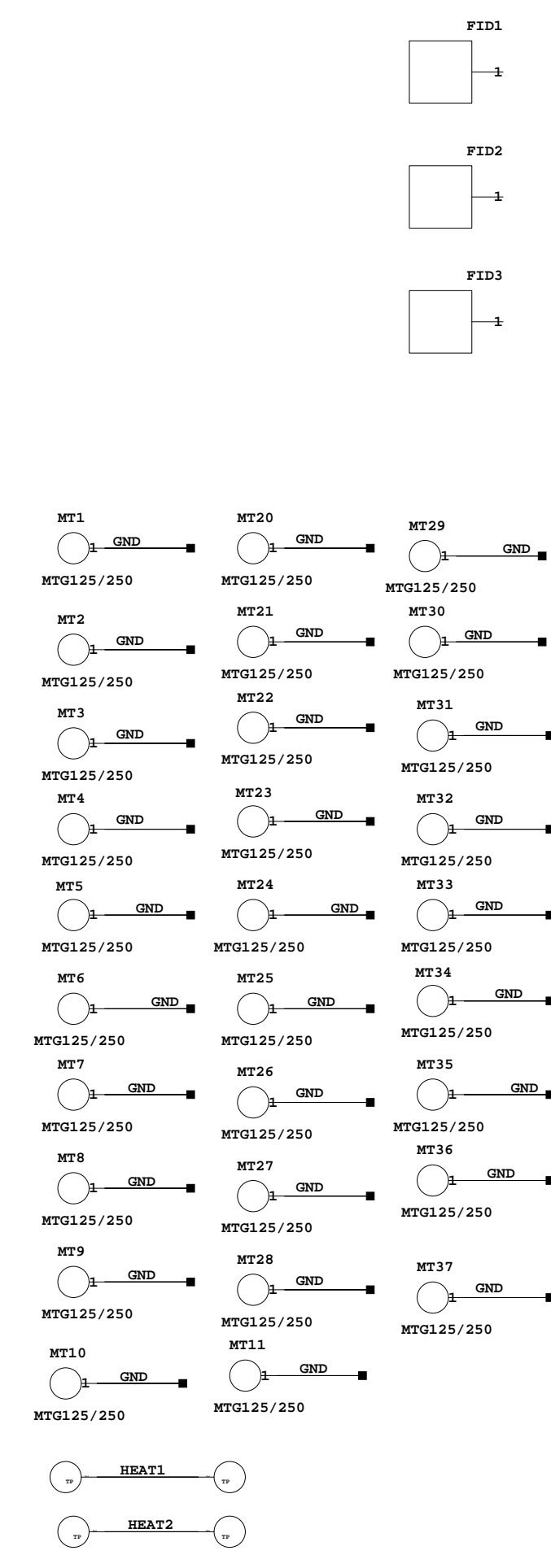
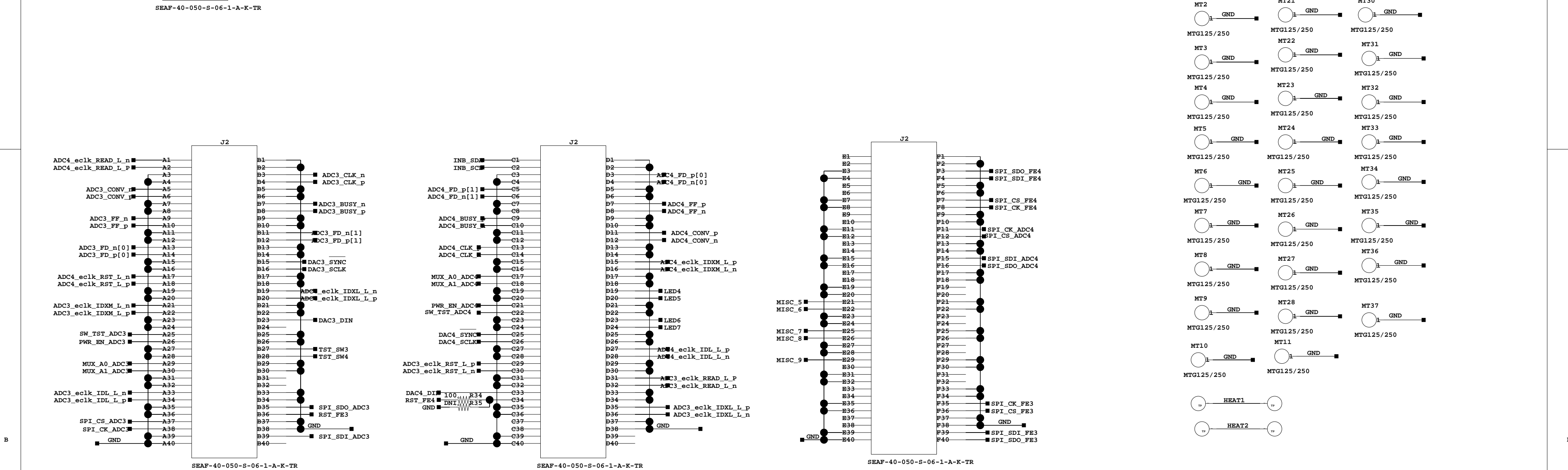
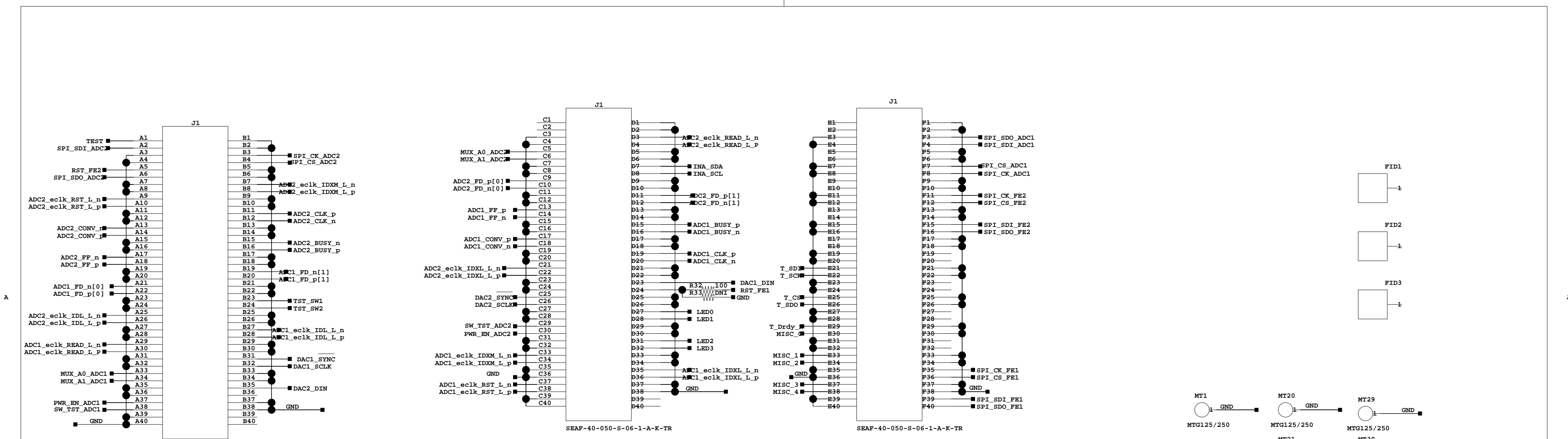
B

C

D

E

F

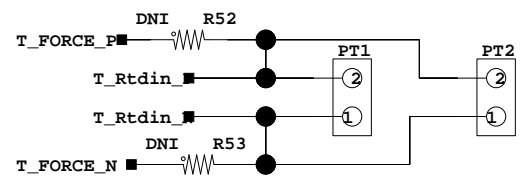
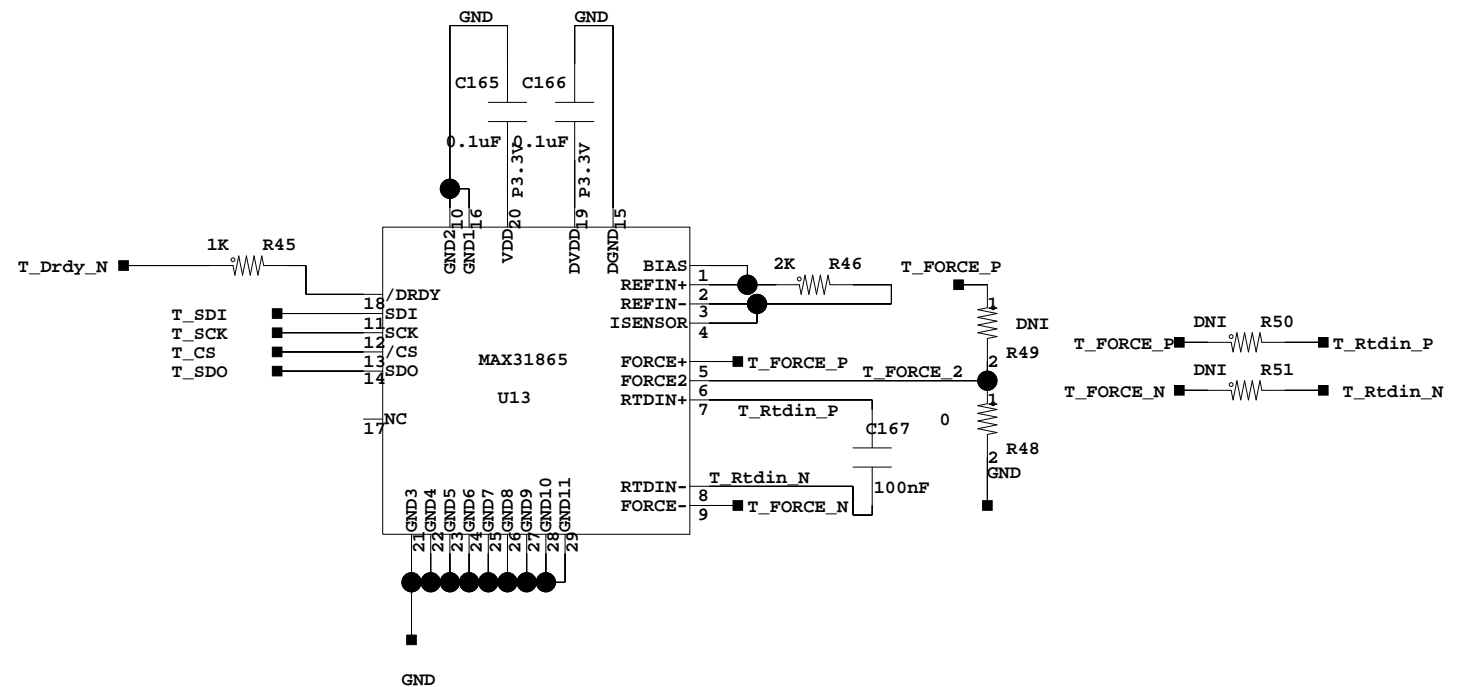
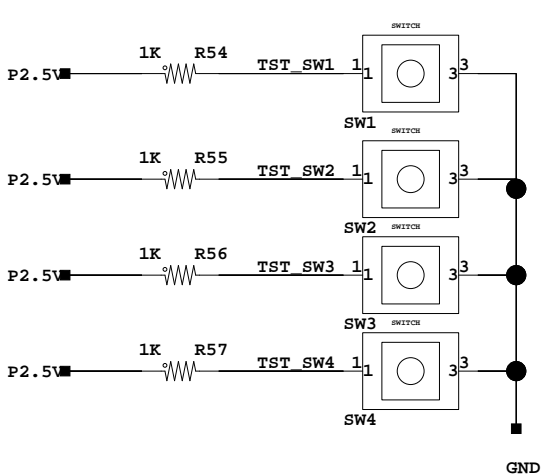
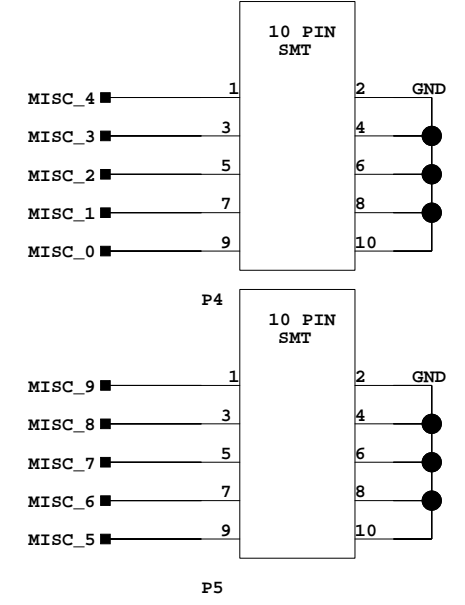
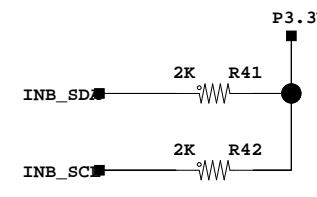
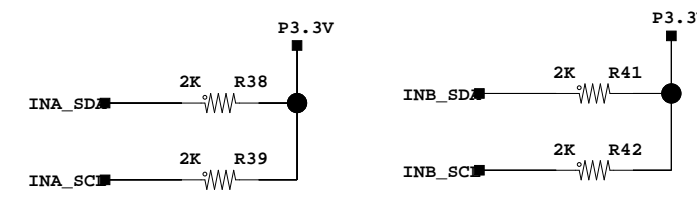
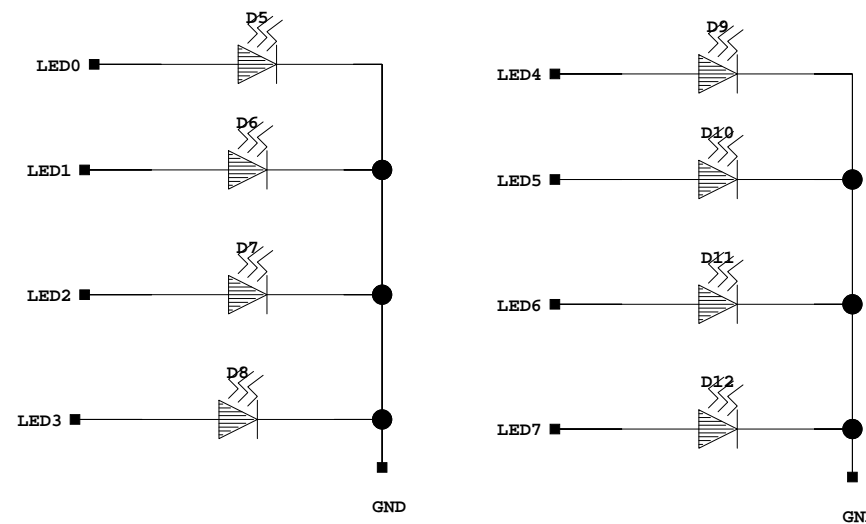
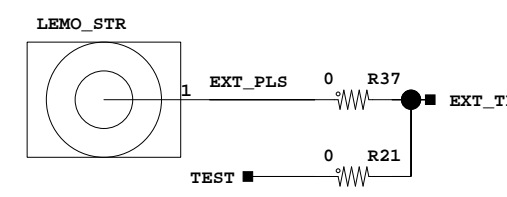
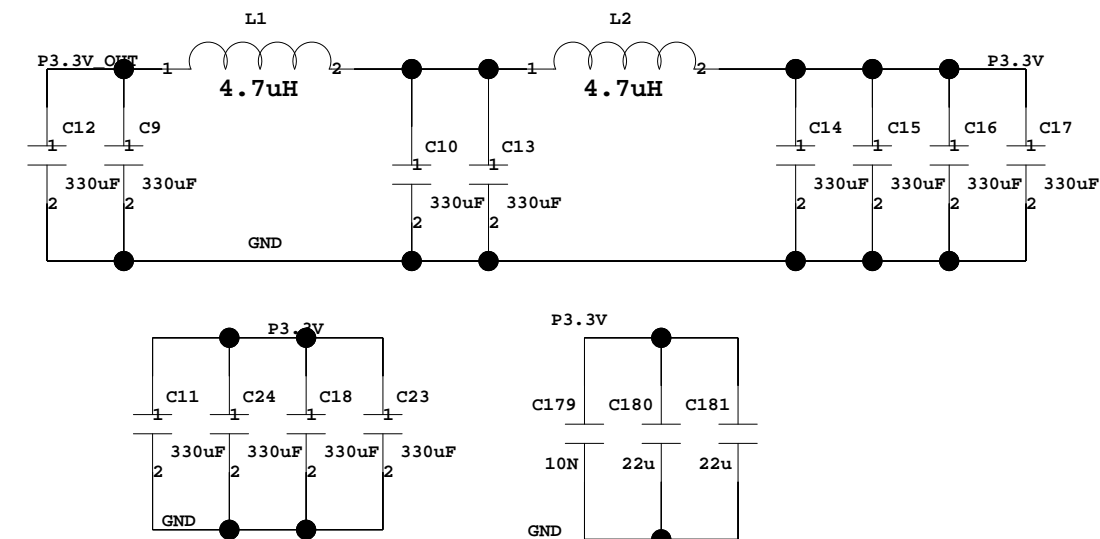
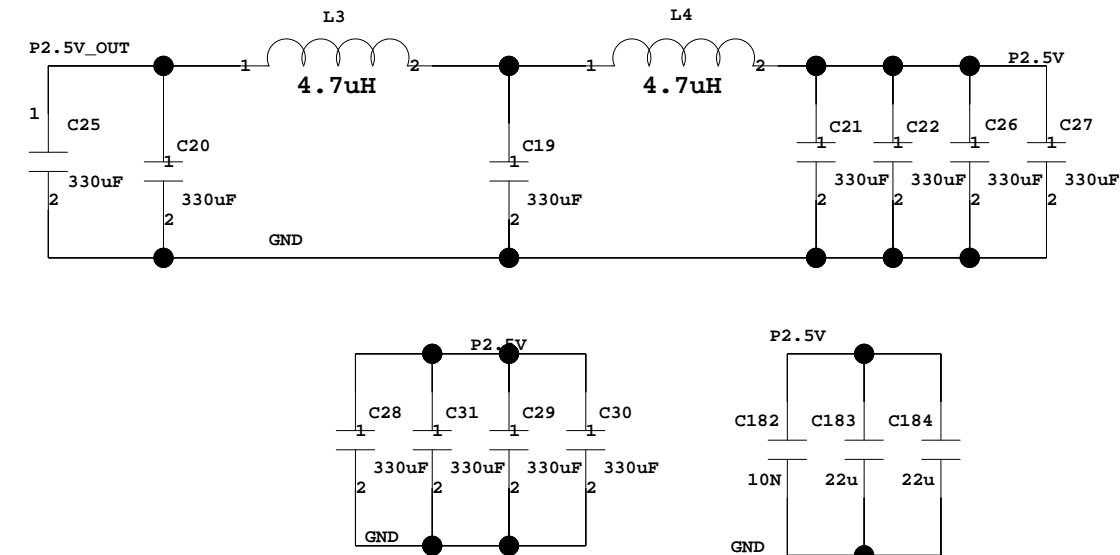
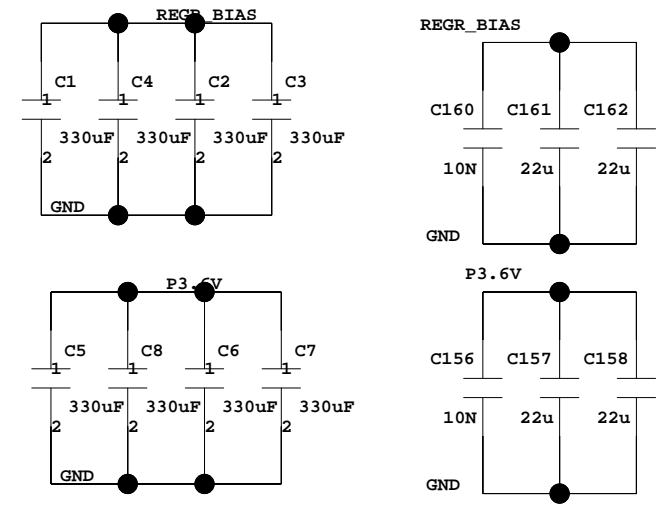
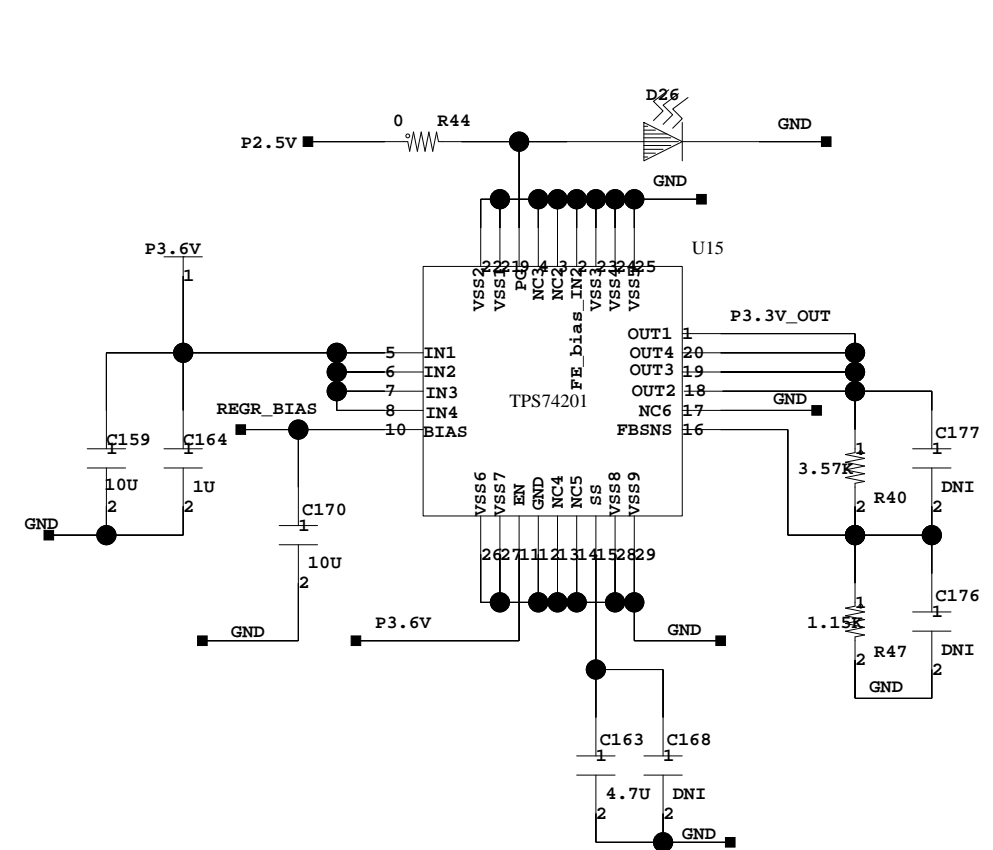
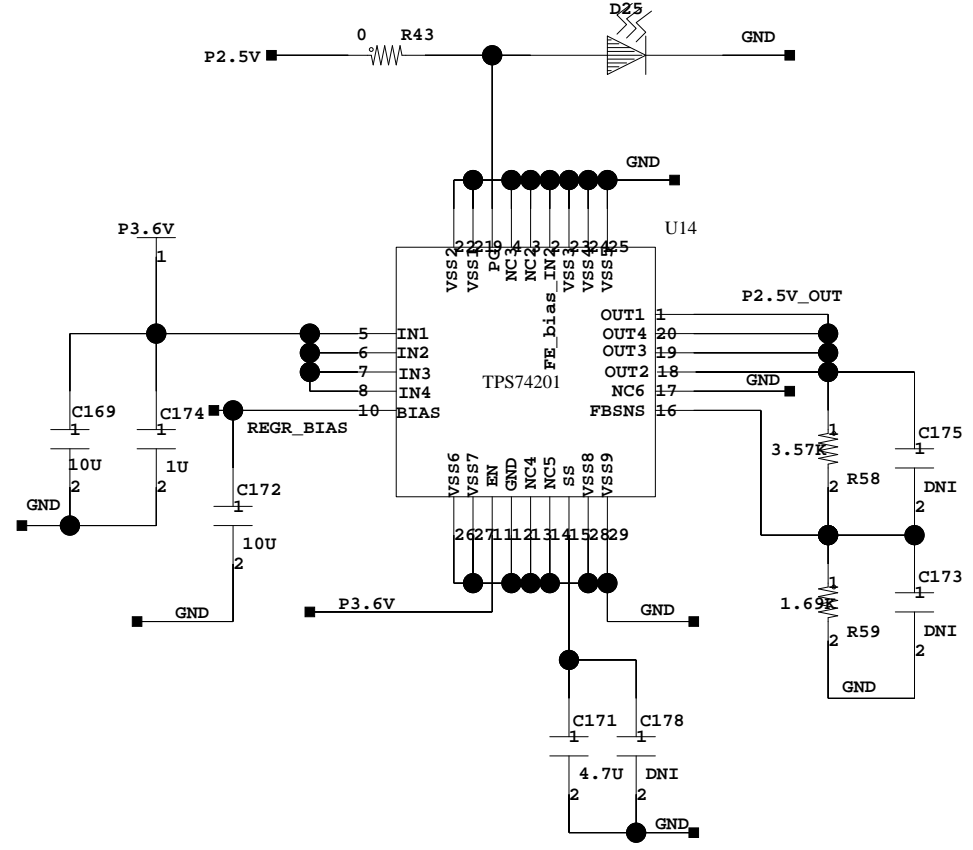
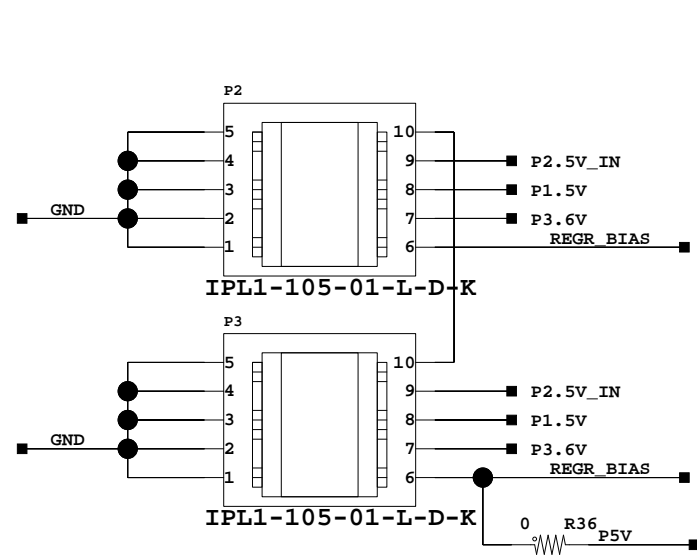


BROOKHAVEN NATIONAL LABORATORY
 INSTRUMENTATION DIVISION
 BLDG. 535B
 UPTON N.Y. 11973

ADC_CHIP_TESTER

FPGA Mezzanine Conector

Date: 19/07/2017:12:03
 DRAWN BY: Jack Fried



BROOKHAVEN NATIONAL LABORATORY
INSTRUMENTATION DIVISION
BLDG. 535B
UPTON N.Y. 11973

ADC_CHIP_TESTER

Board PWR and MISC

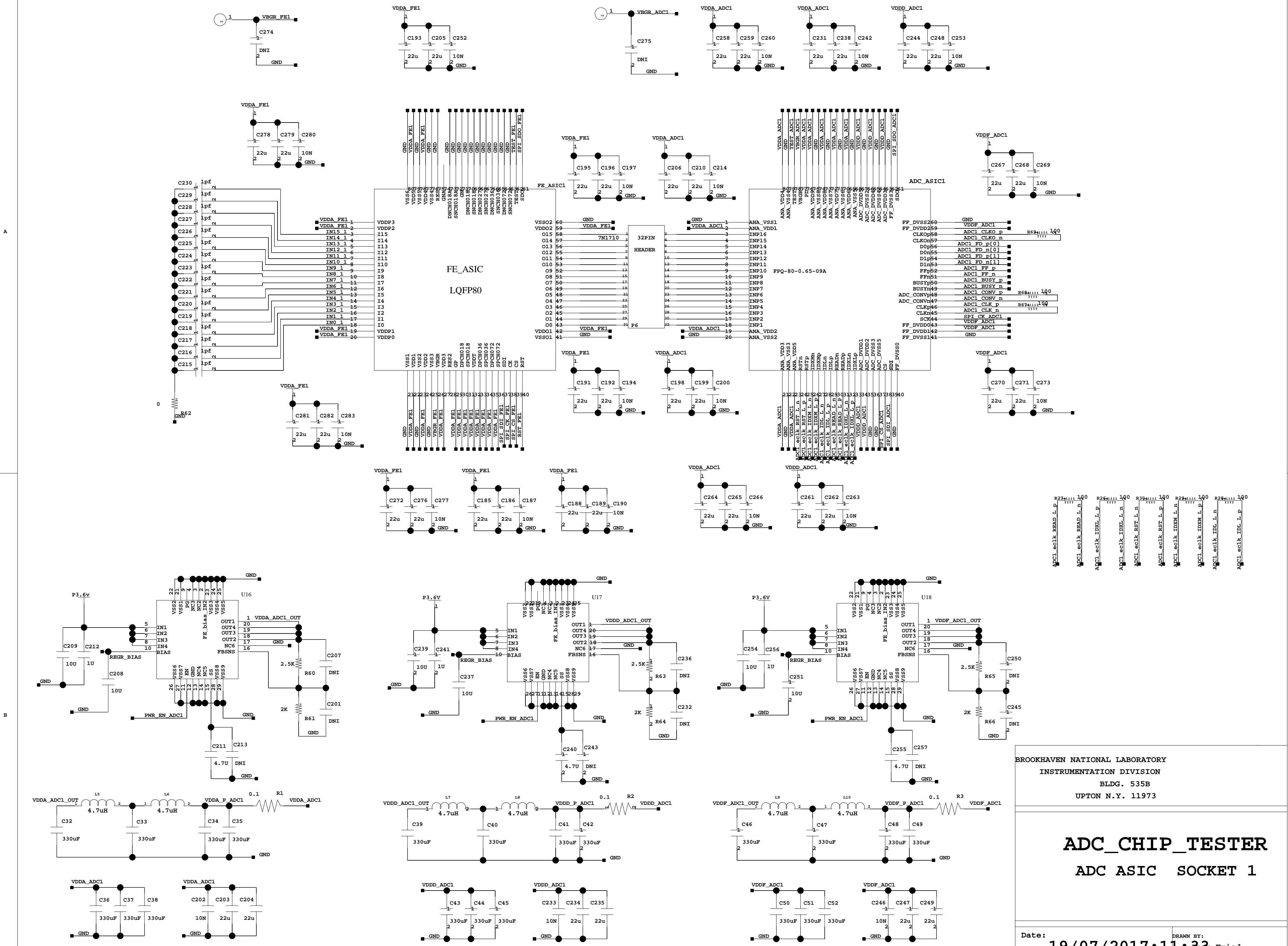
Date: 19/07/2017:11:53
DRAWN BY: Chuck Fried

A

B

1

2



BROOKHAVEN NATIONAL LABORATORY
 INSTRUMENTATION DIVISION
 BLDG. 535B
 UPTON N.Y. 11973

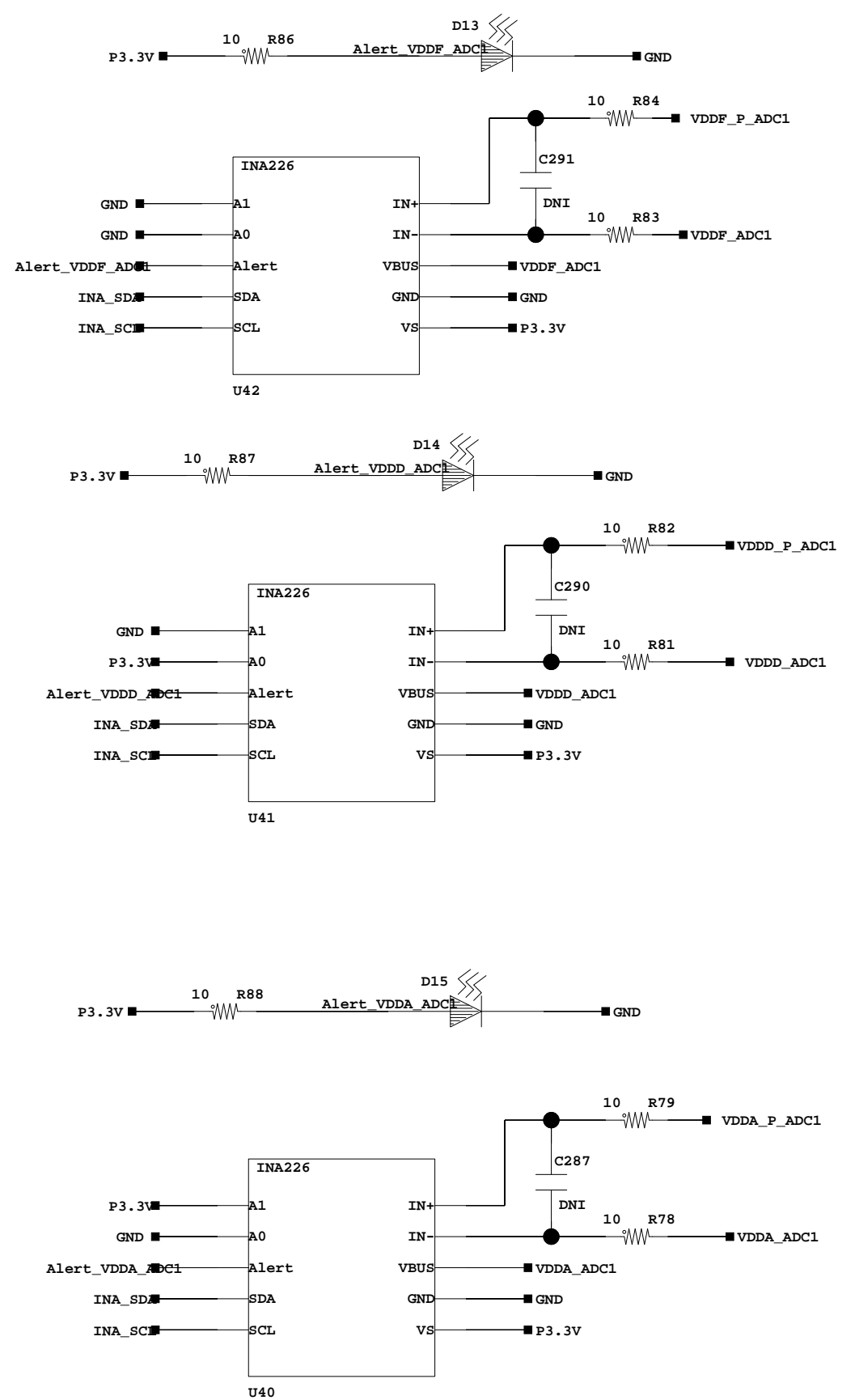
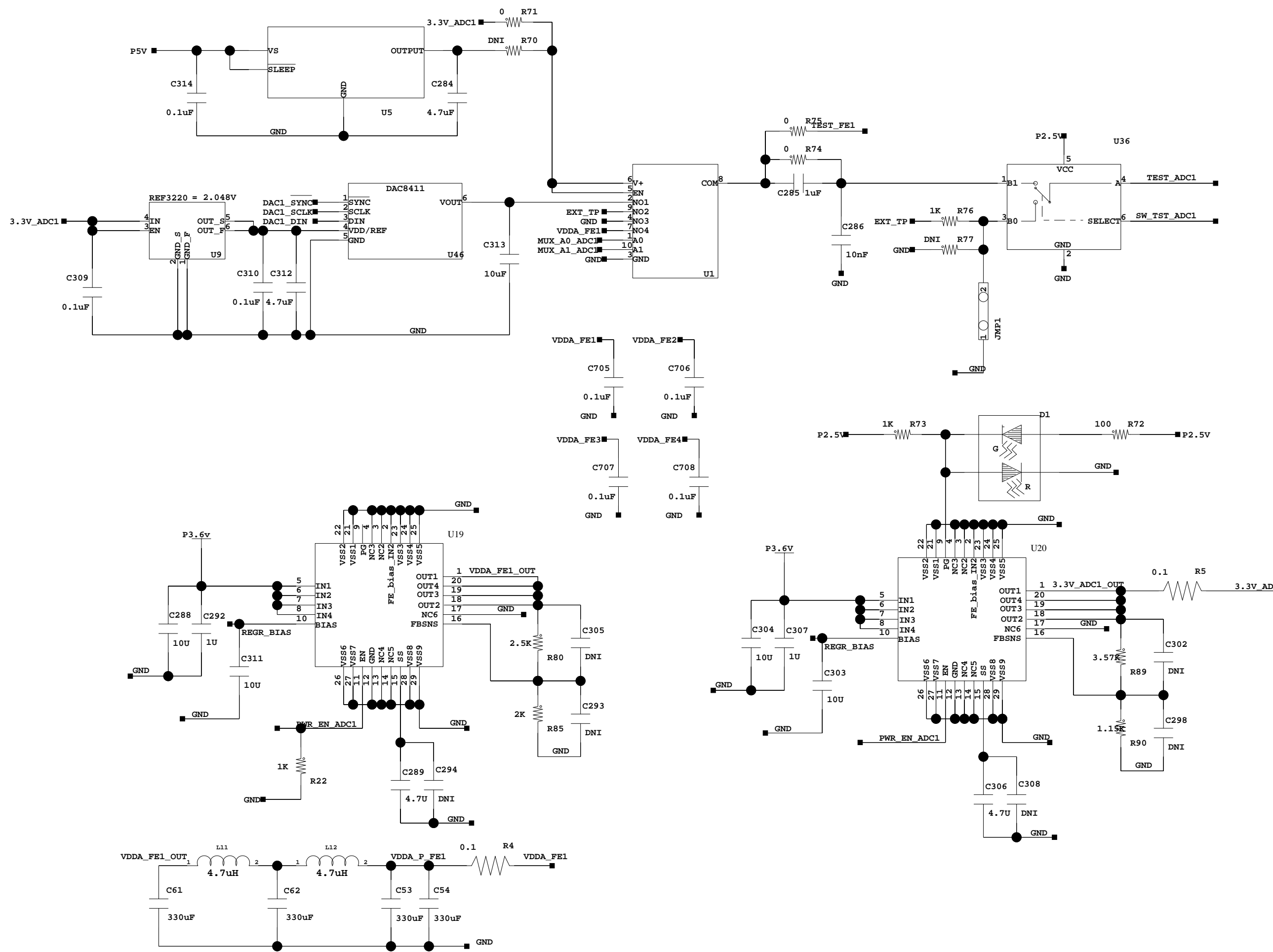
ADC_CHIP_TESTER

ADC_ASIC_SOCKET_1

Date: 19/07/2017:11:33
 DRAWN BY: Fried

1

2

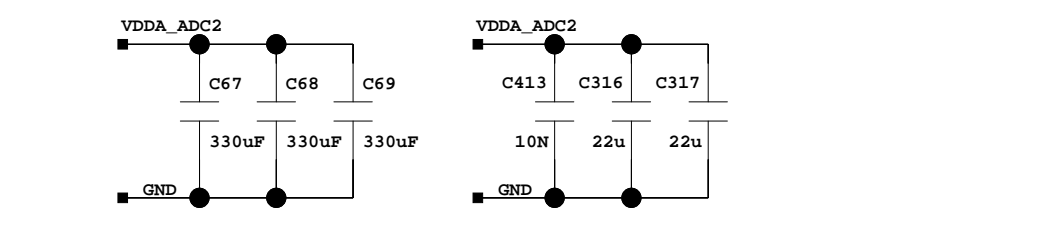
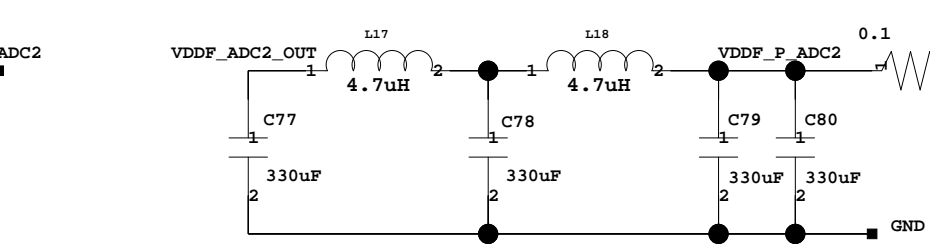
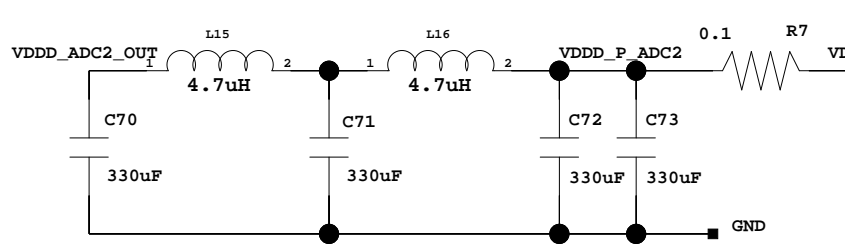
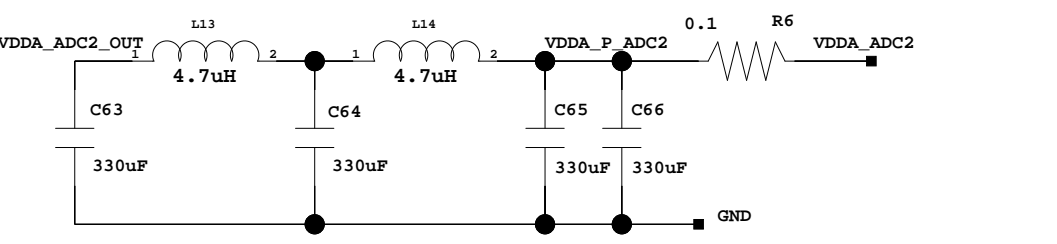
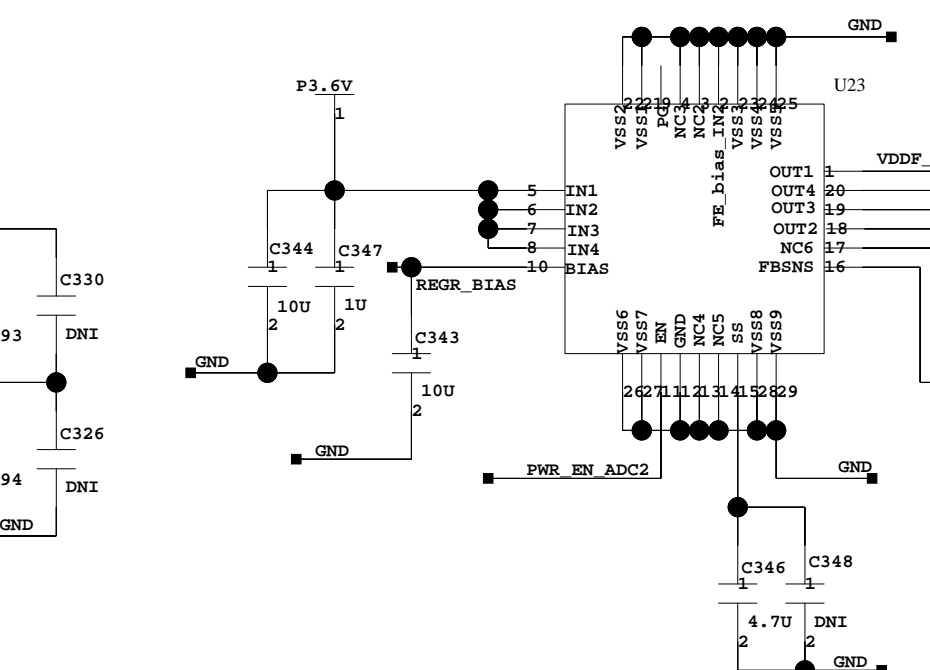
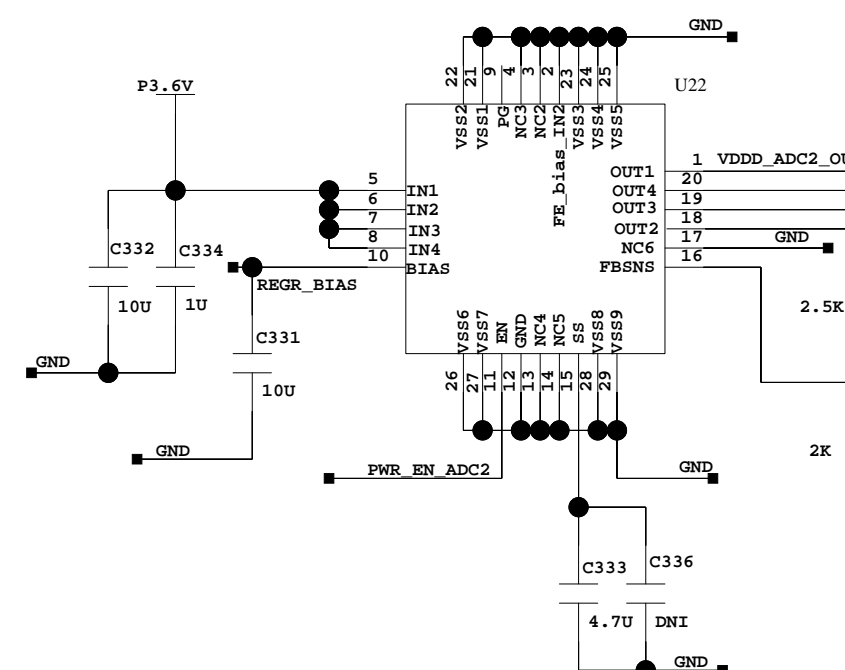
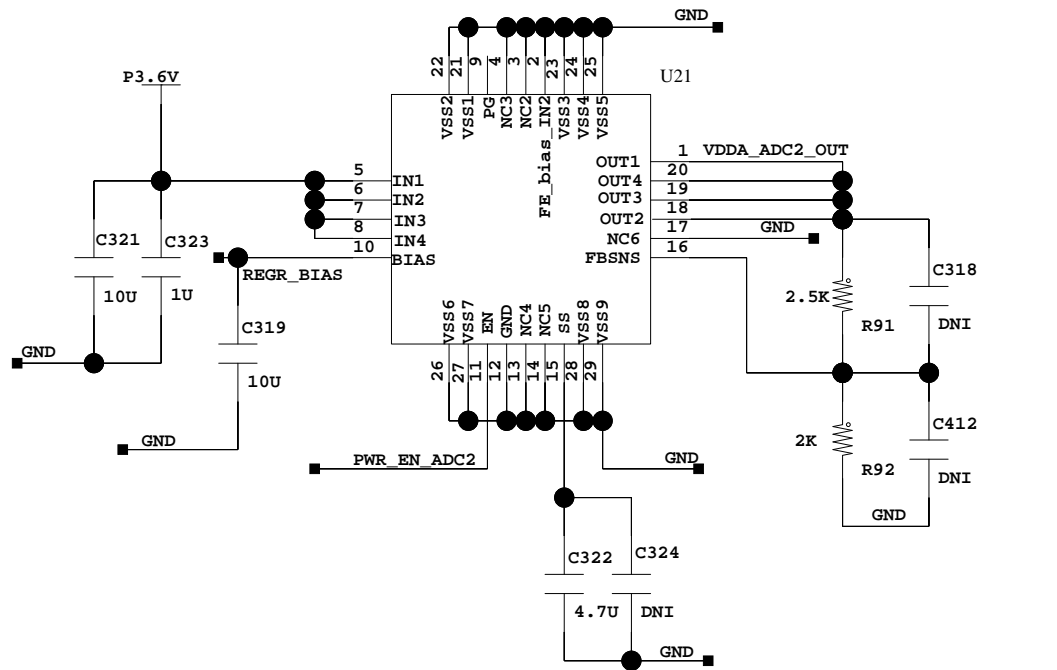
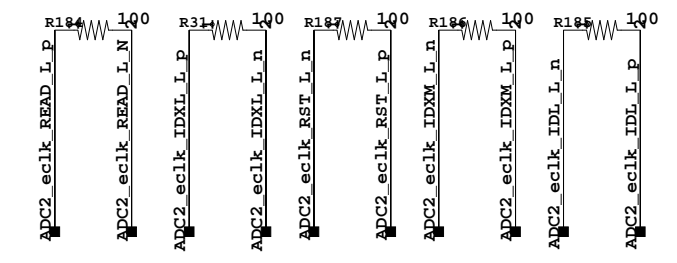
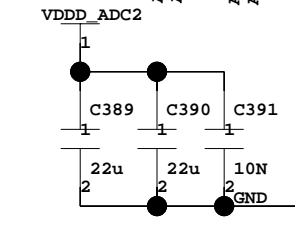
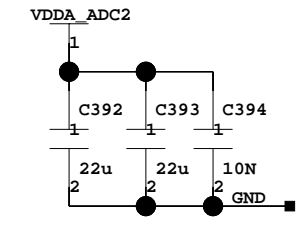
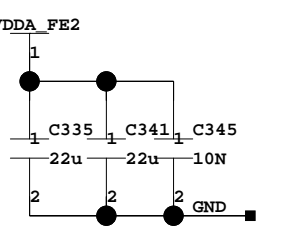
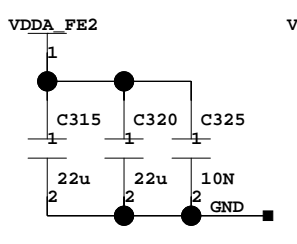
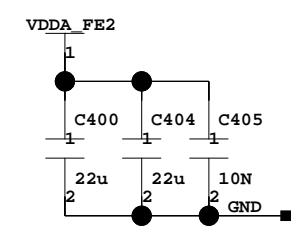
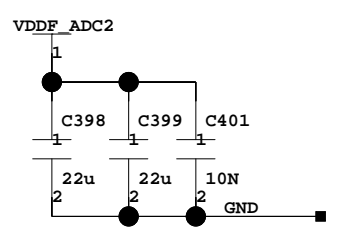
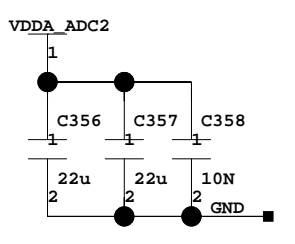
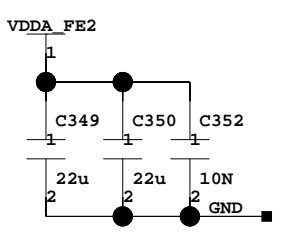
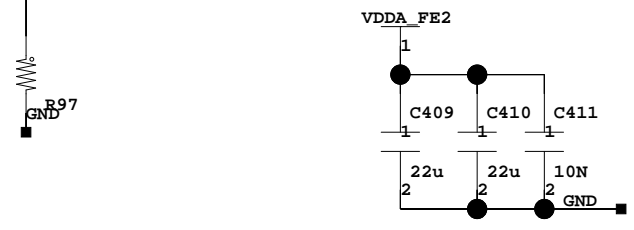
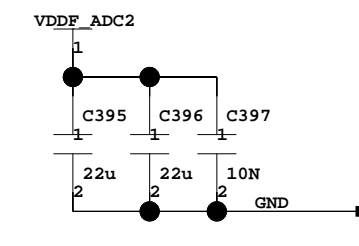
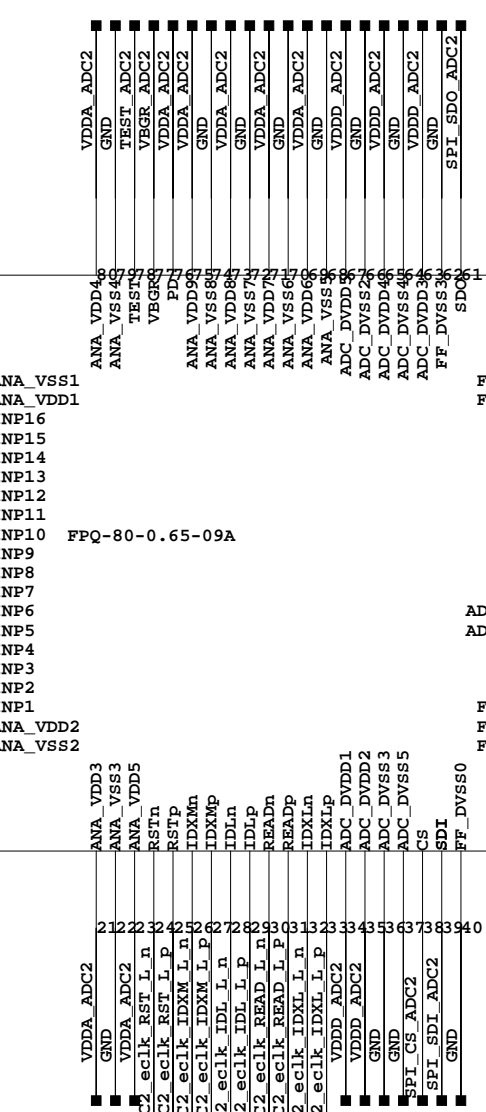
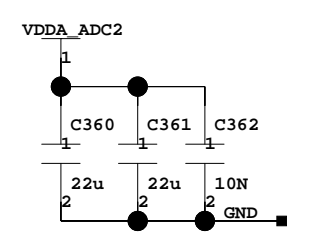
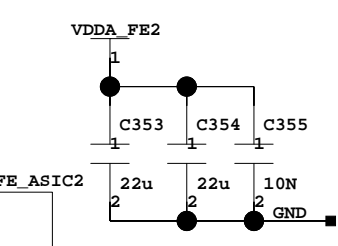
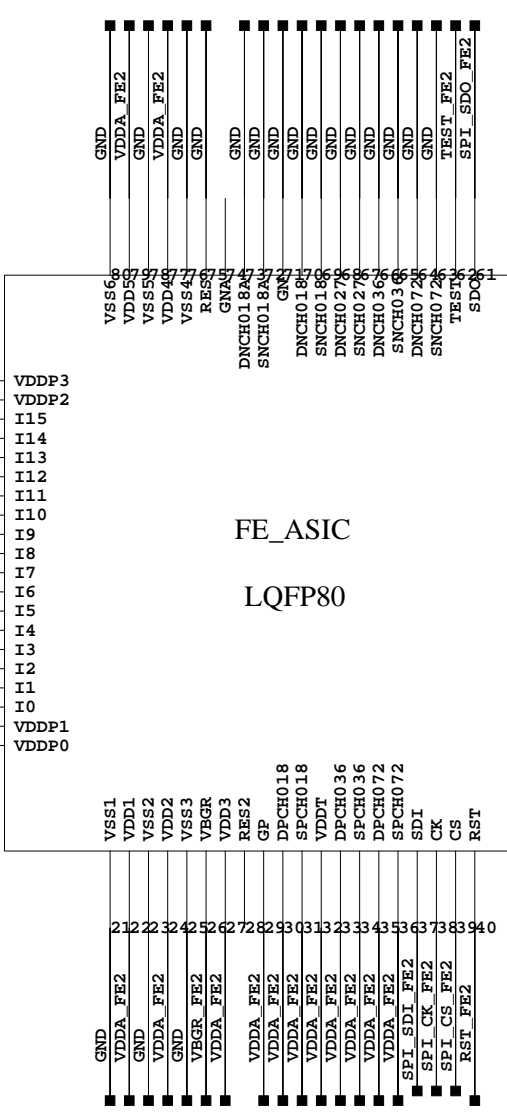
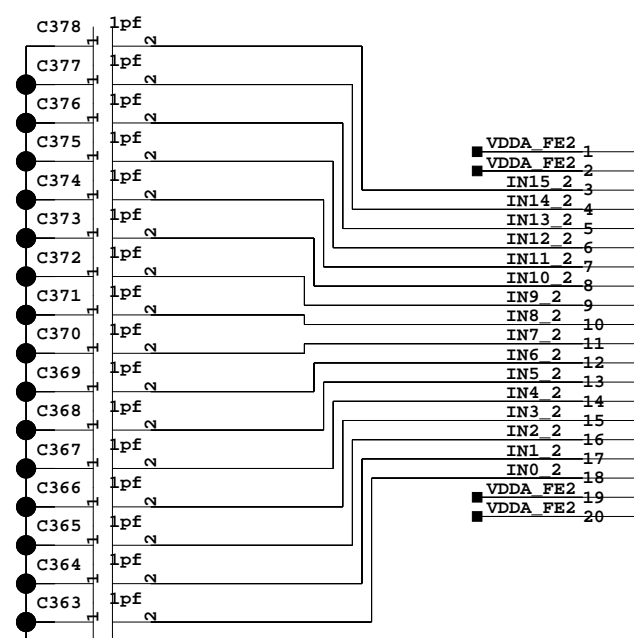
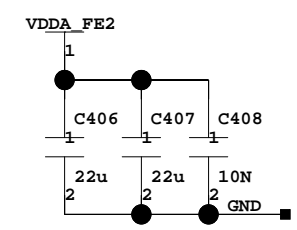
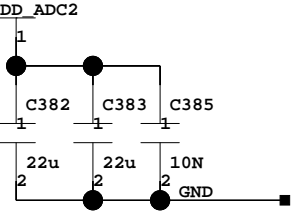
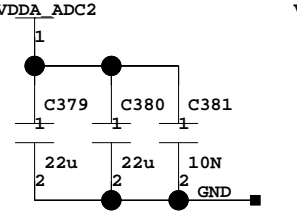
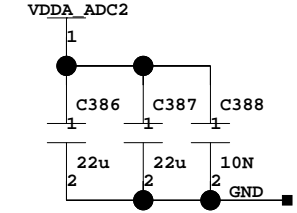
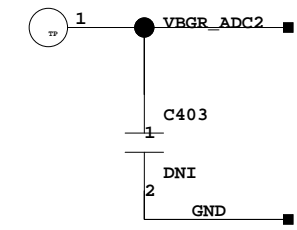
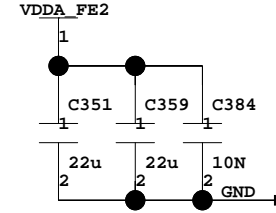
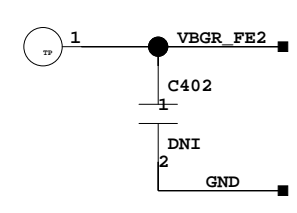


BROOKHAVEN NATIONAL LABORATORY
 INSTRUMENTATION DIVISION
 BLDG. 535B
 UPTON N.Y. 11973

ADC_CHIP_TESTER

ADC ASIC 1 PWR Monitor and

Date: 19/07/2017:11:58
 DRAWN BY: Frank Fried

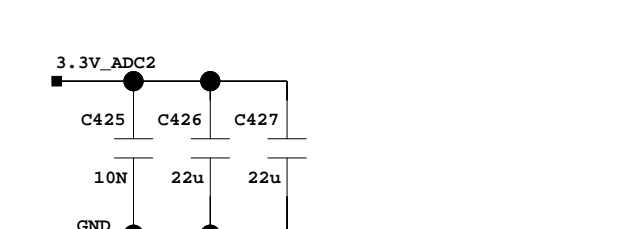
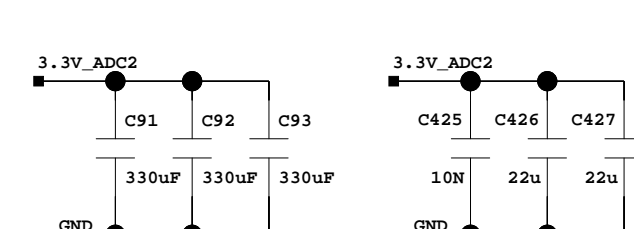
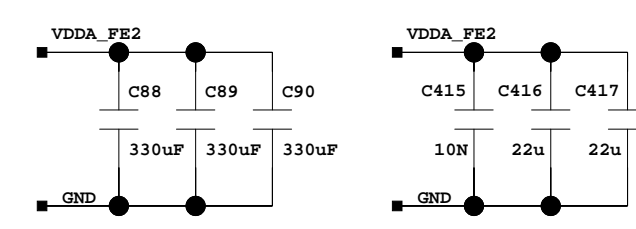
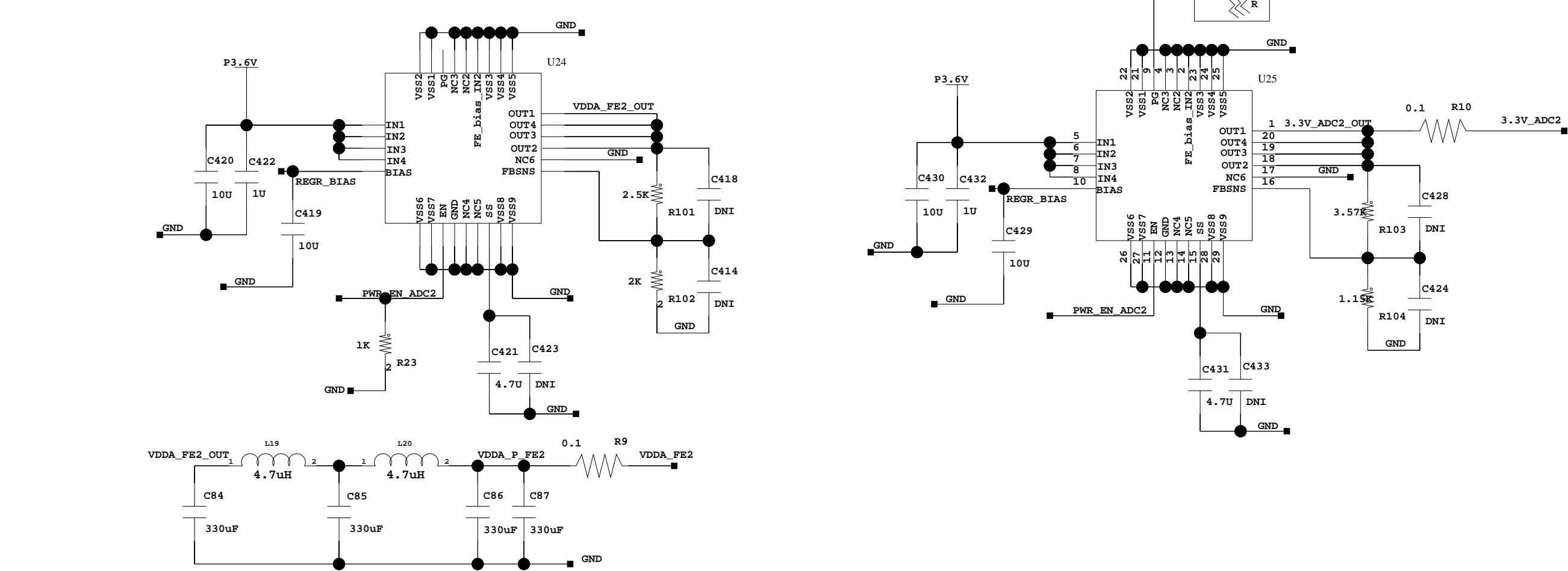
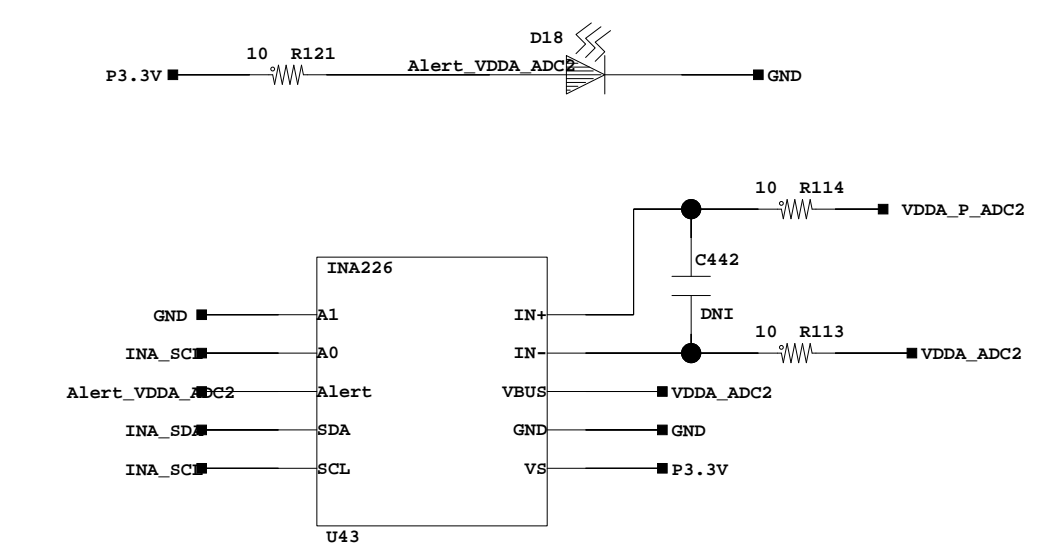
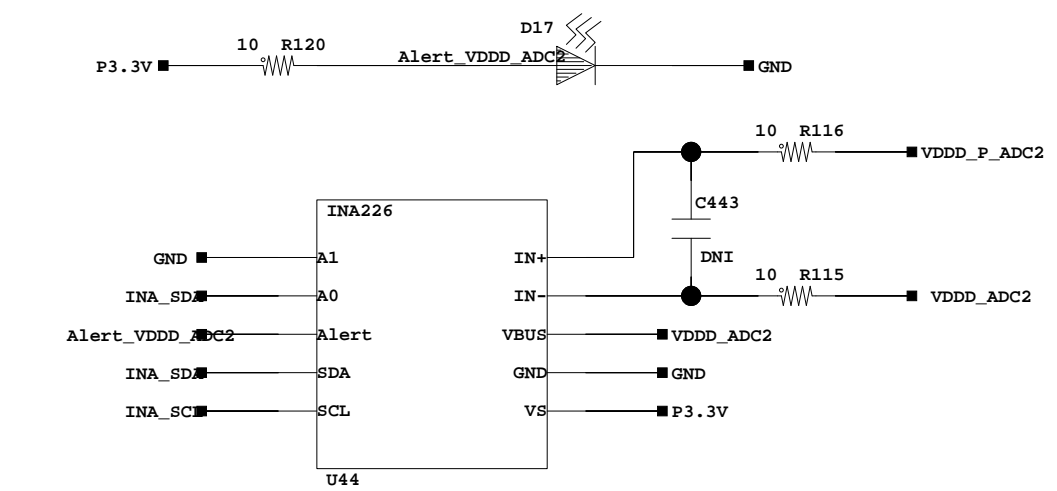
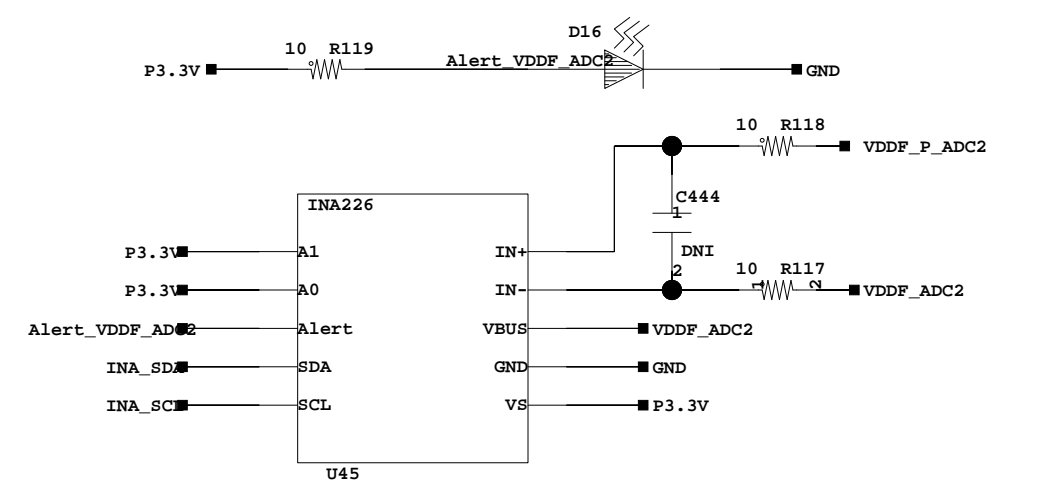
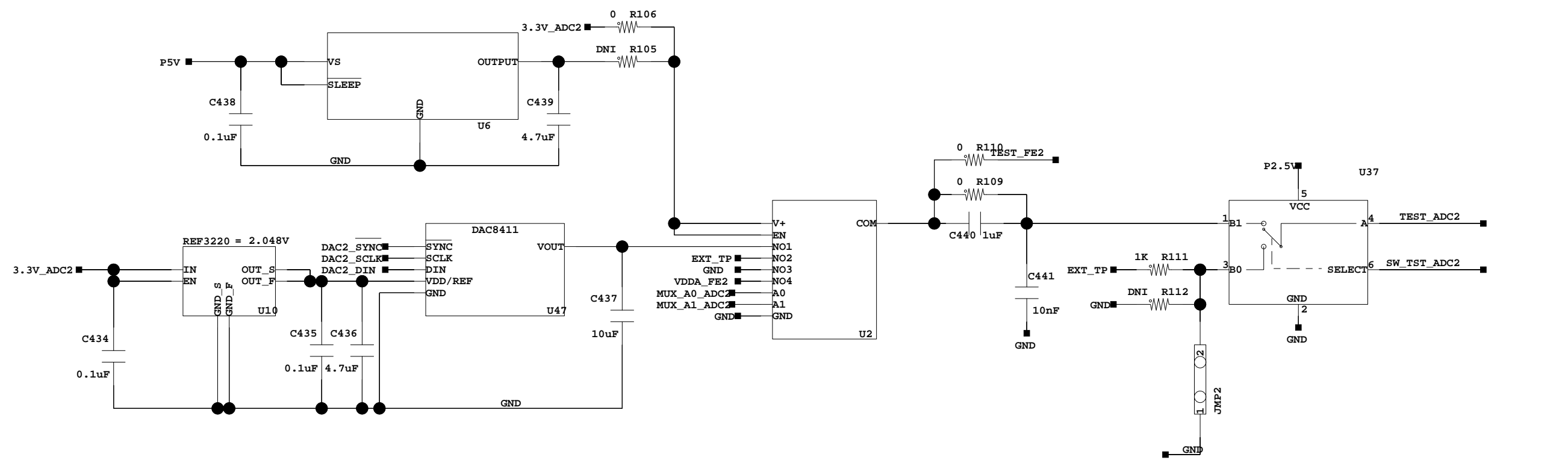


BROOKHAVEN NATIONAL LABORATORY
 INSTRUMENTATION DIVISION
 BLDG. 535B
 UPTON N.Y. 11973

ADC_CHIP_TESTER

ADC ASIC SOCKET 2

Date: 19/07/2017:11:33
 DRAWN BY: Jack Fried



BROOKHAVEN NATIONAL LABORATORY
 INSTRUMENTATION DIVISION
 BLDG. 535B
 UPTON N.Y. 11973

ADC_CHIP_TESTER

ADC ASIC 2 PWR Monitor and

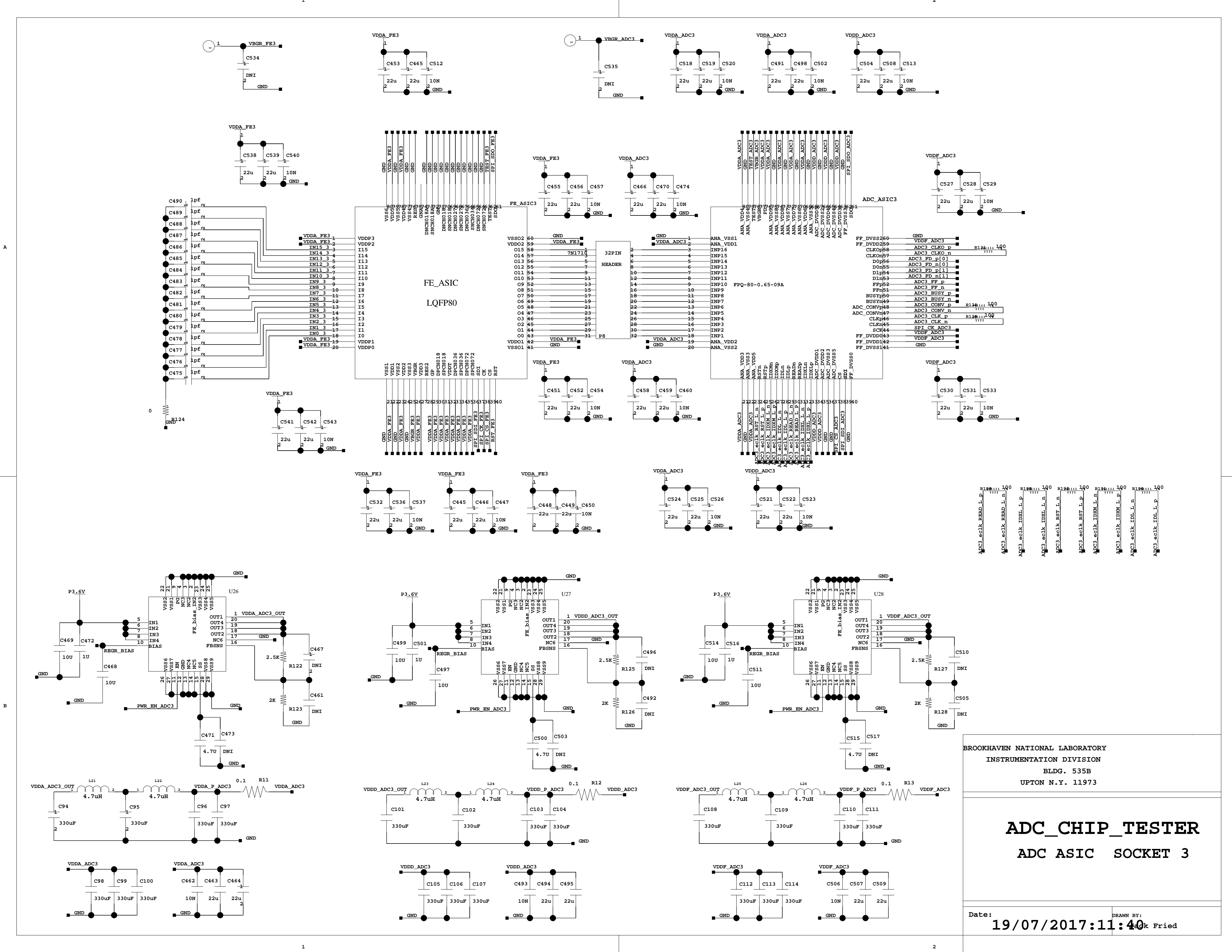
Date: 19/07/2017:11:58
 DRAWN BY: Jack Fried

A

B

2

2

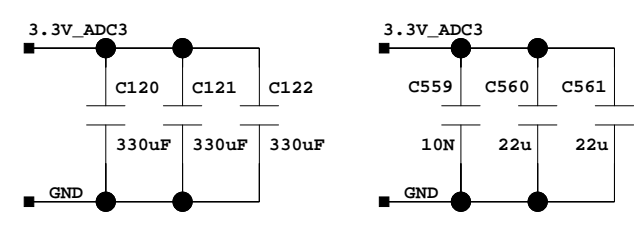
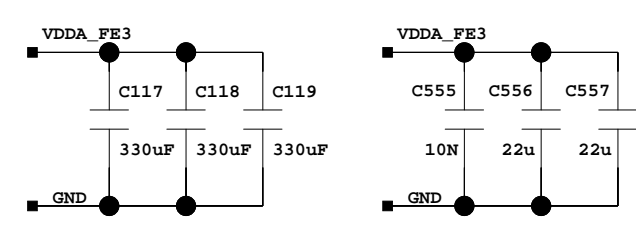
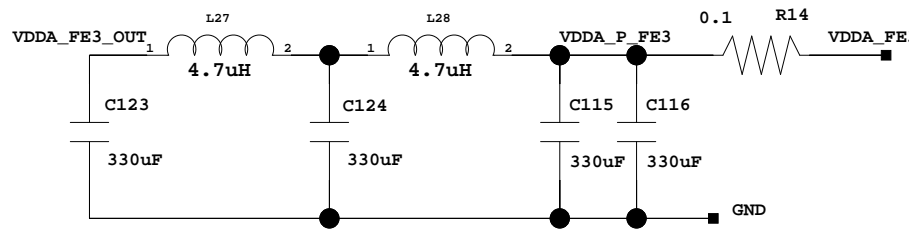
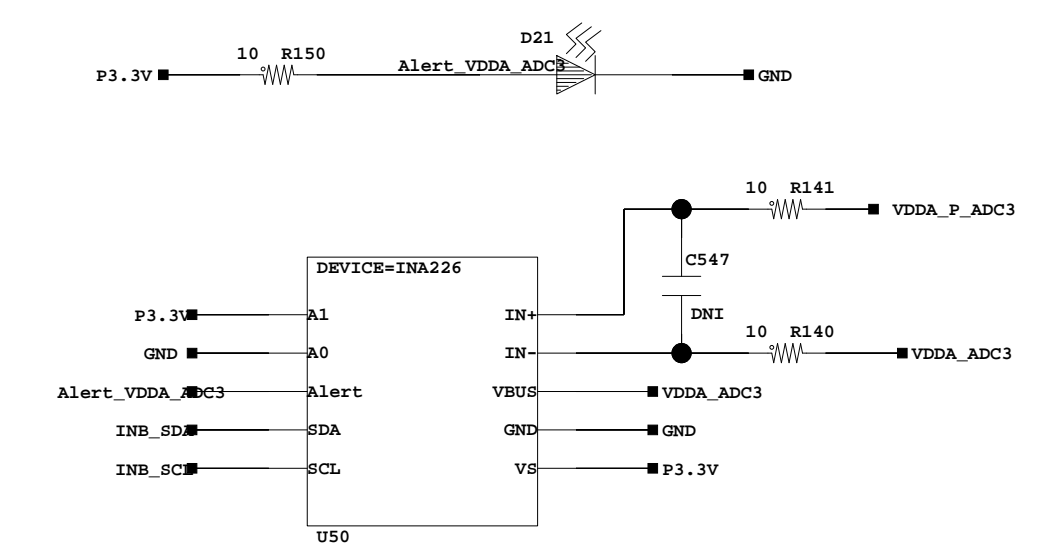
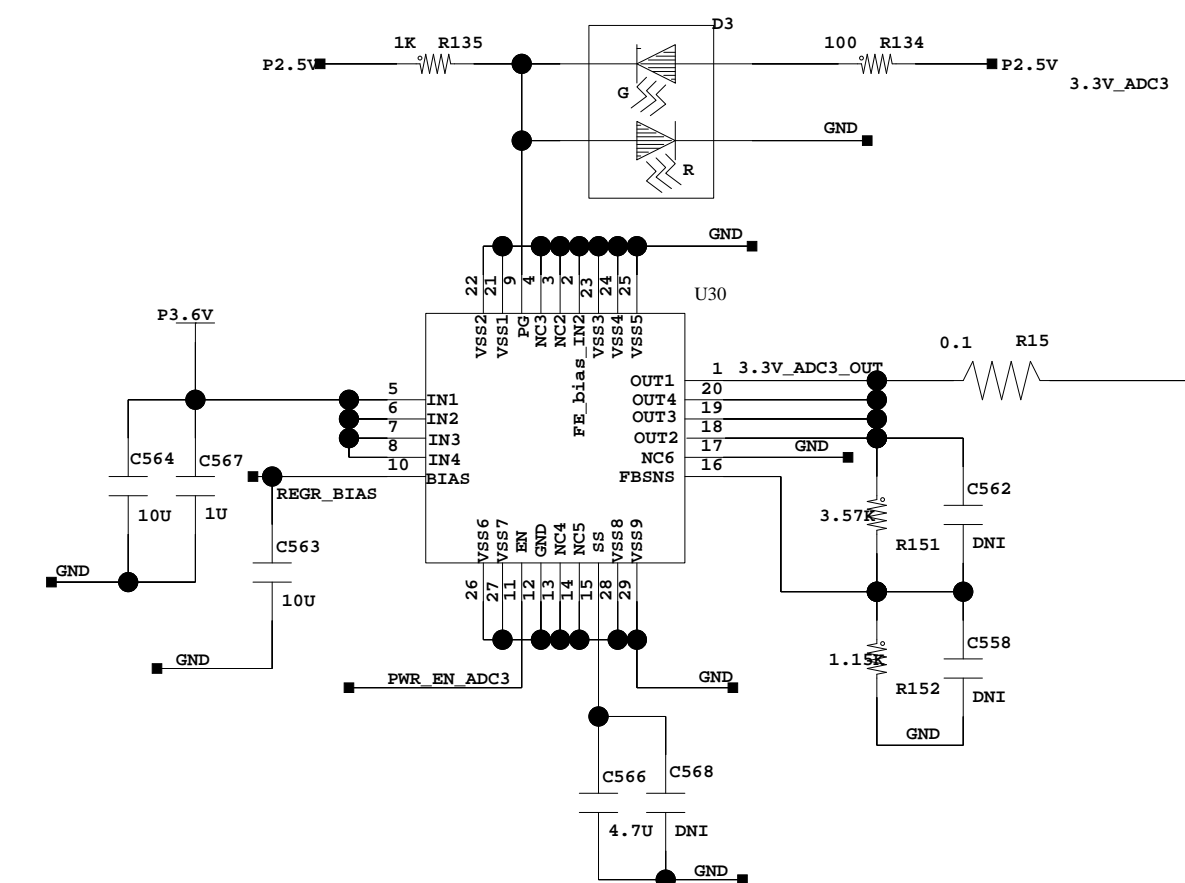
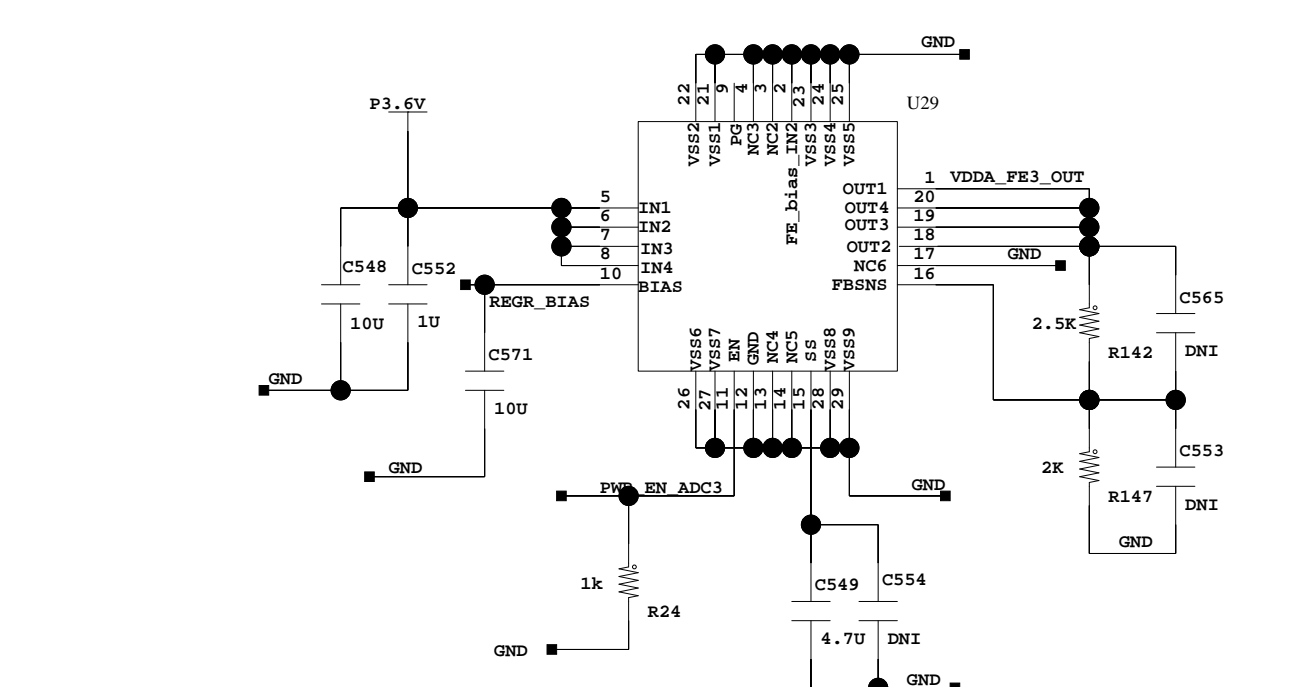
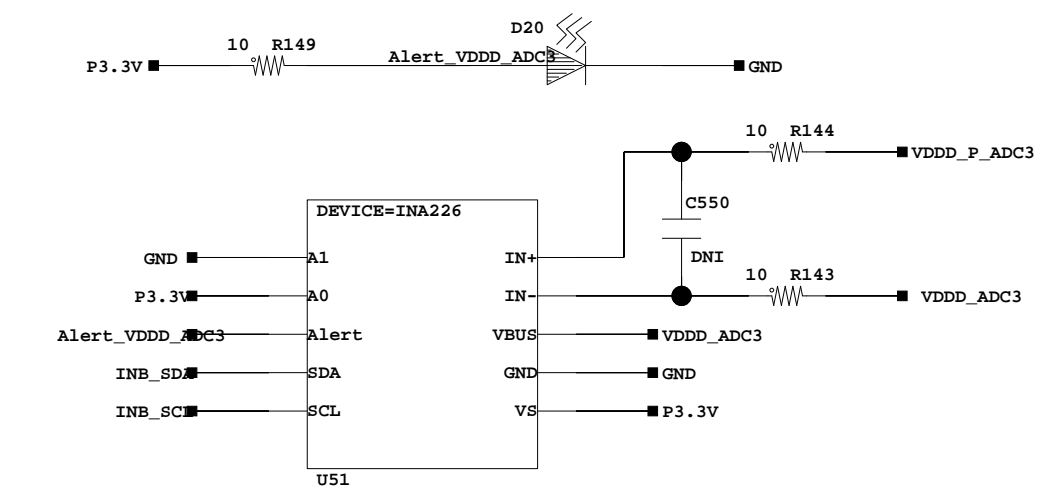
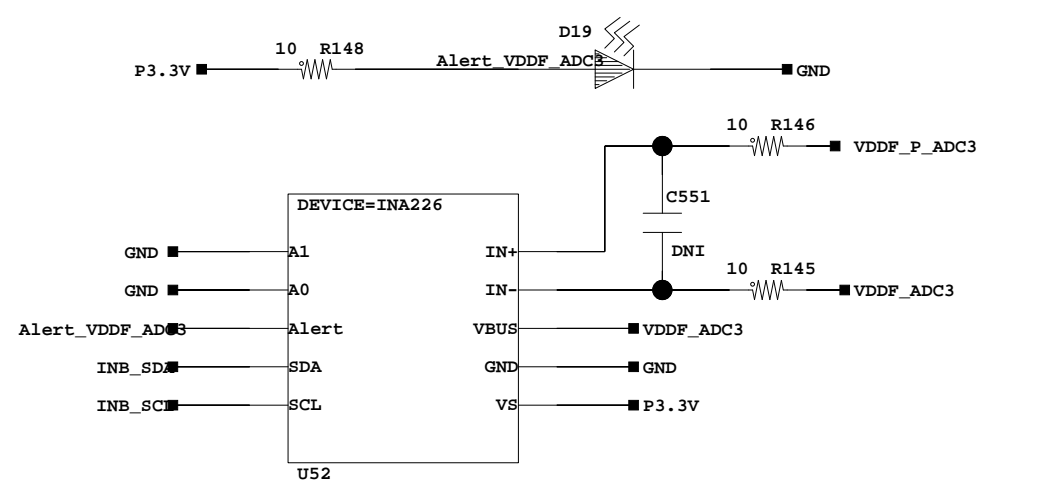
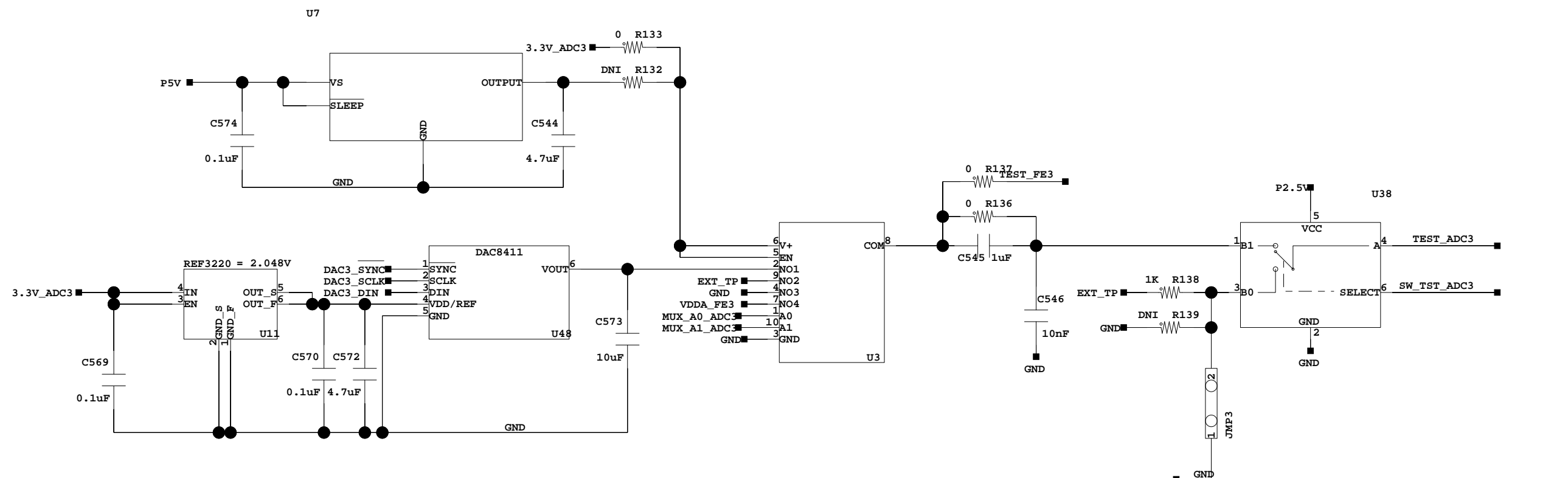


BROOKHAVEN NATIONAL LABORATORY
 INSTRUMENTATION DIVISION
 BLDG. 535B
 UPTON N.Y. 11973

ADC_CHIP_TESTER

ADC ASIC SOCKET 3

Date: 19/07/2017:11:40
 DRAWN BY: k Fried

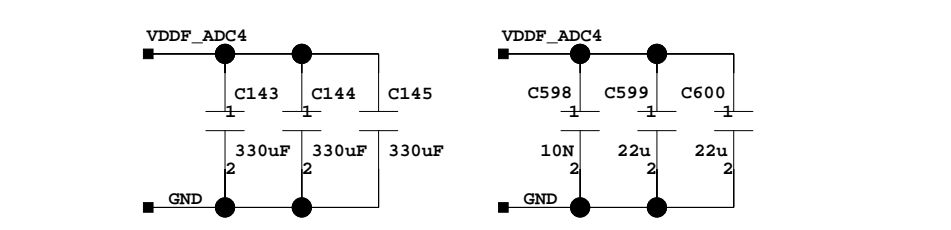
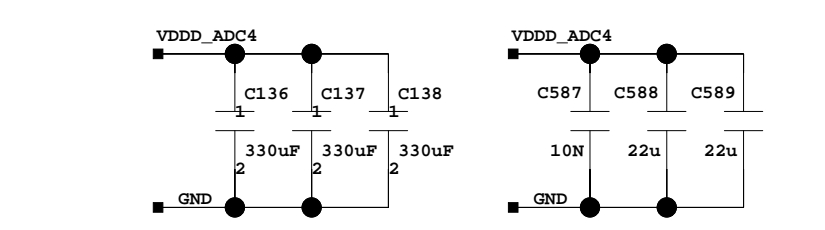
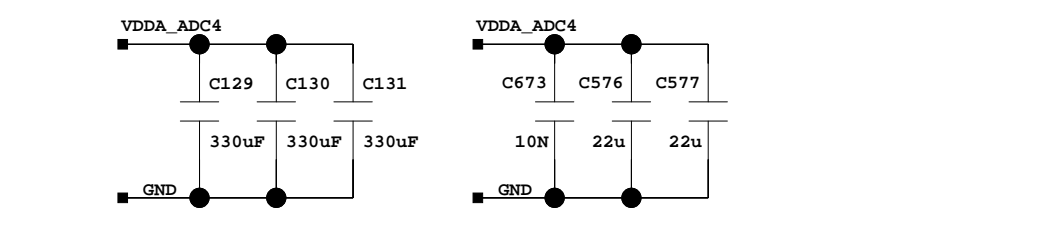
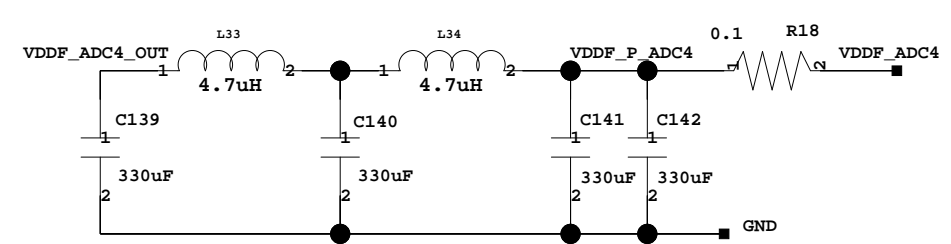
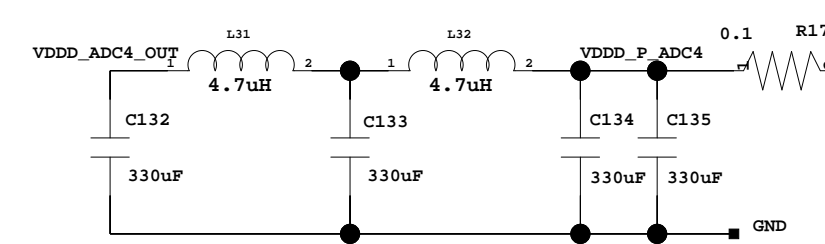
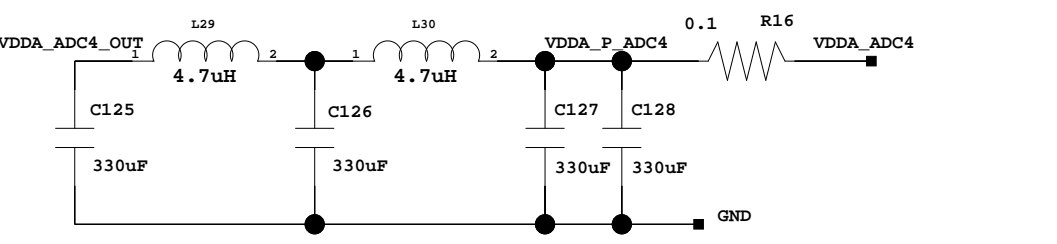
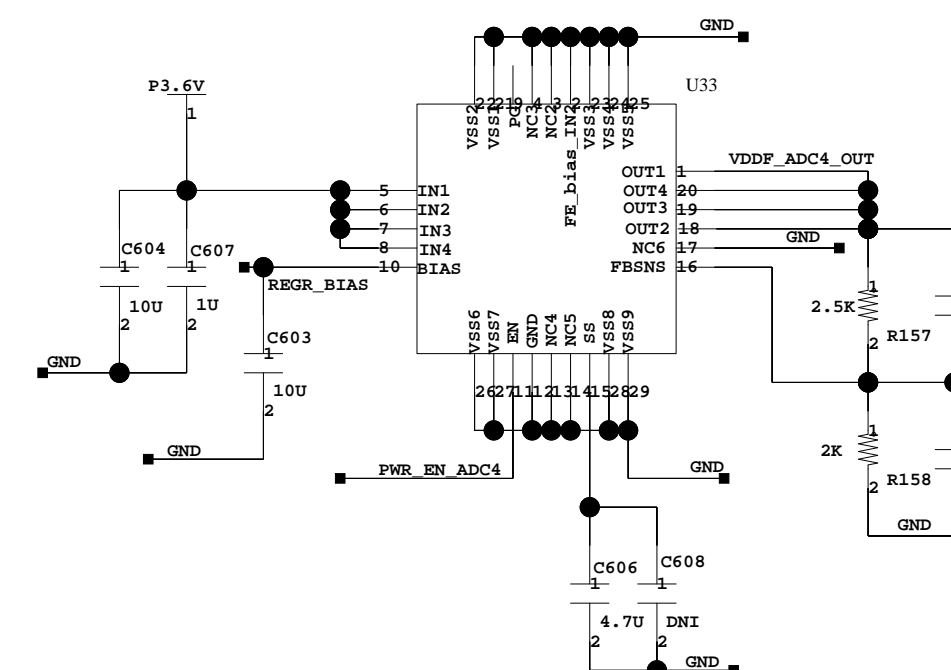
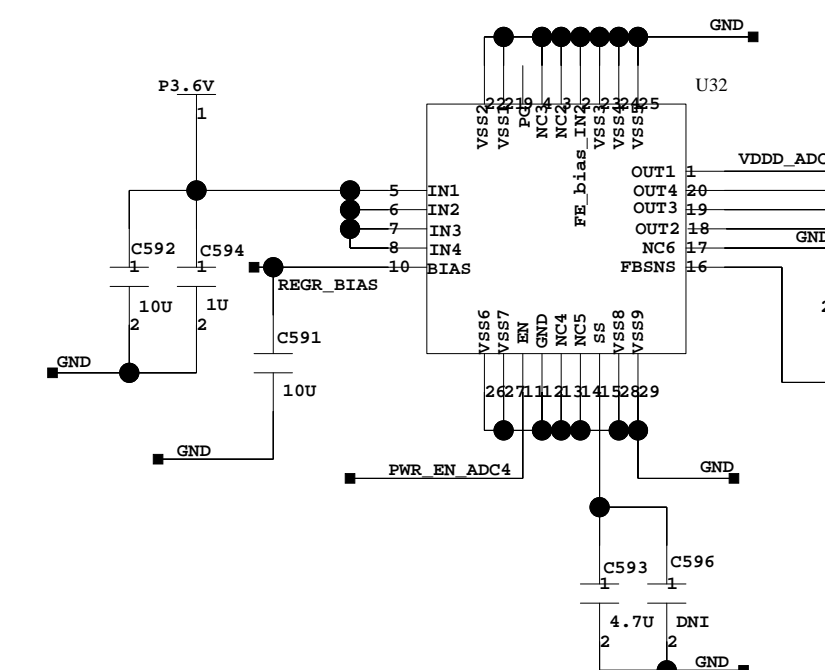
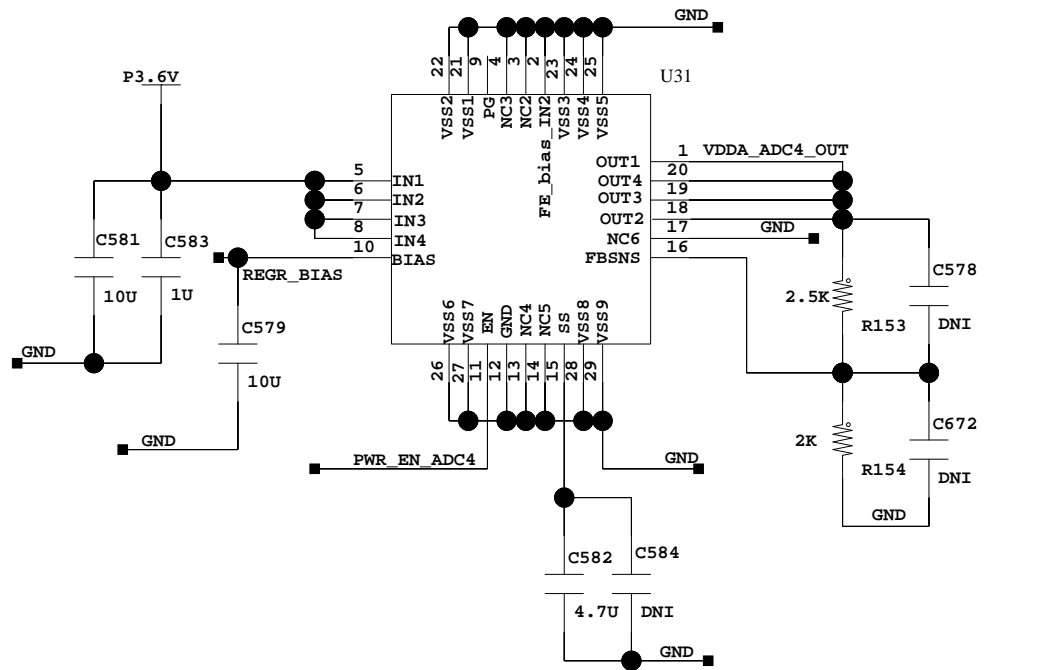
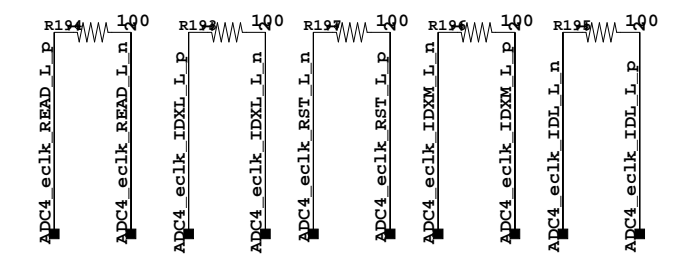
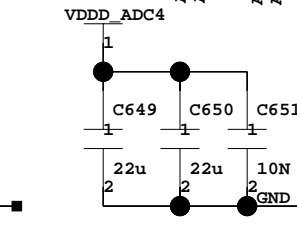
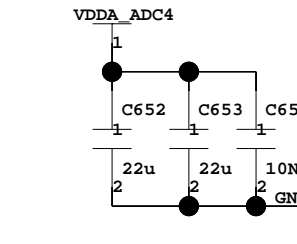
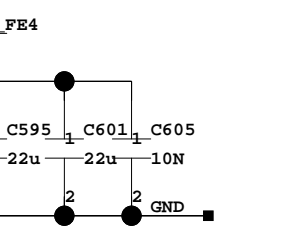
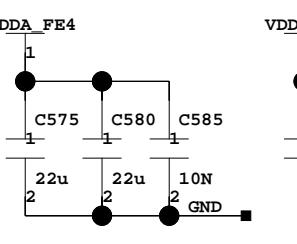
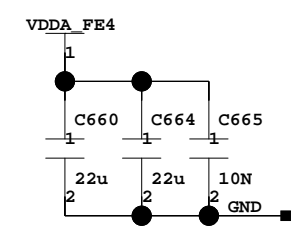
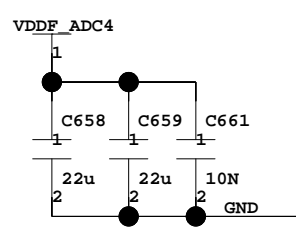
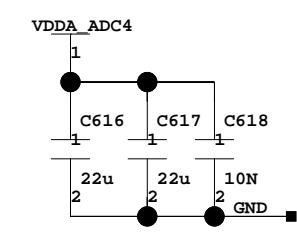
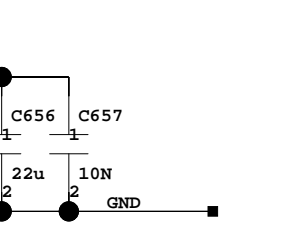
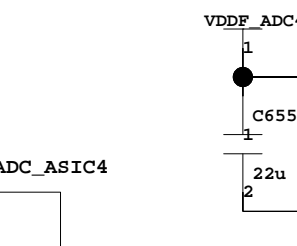
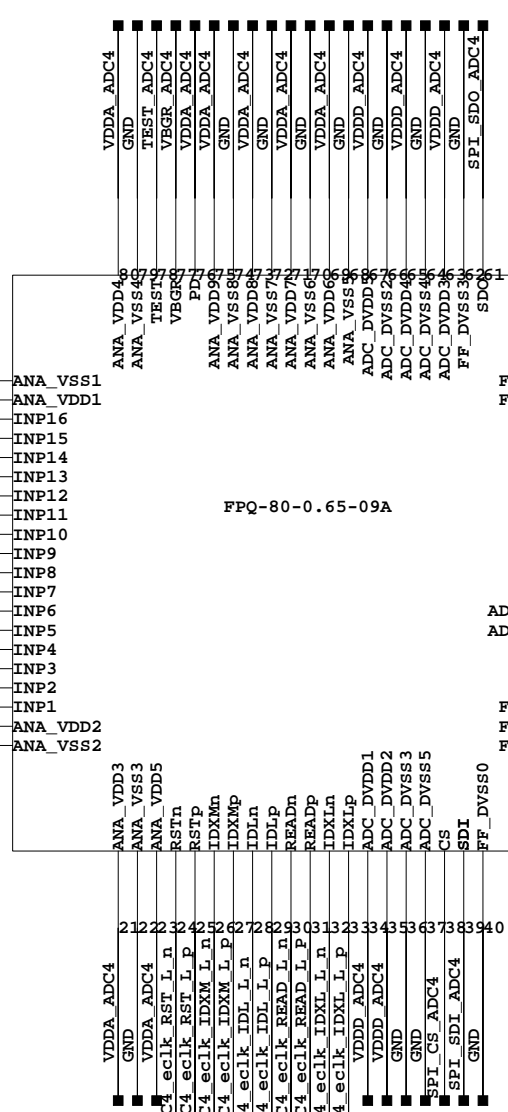
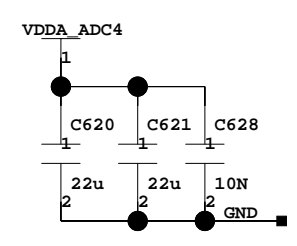
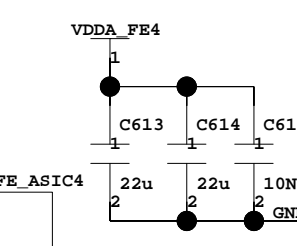
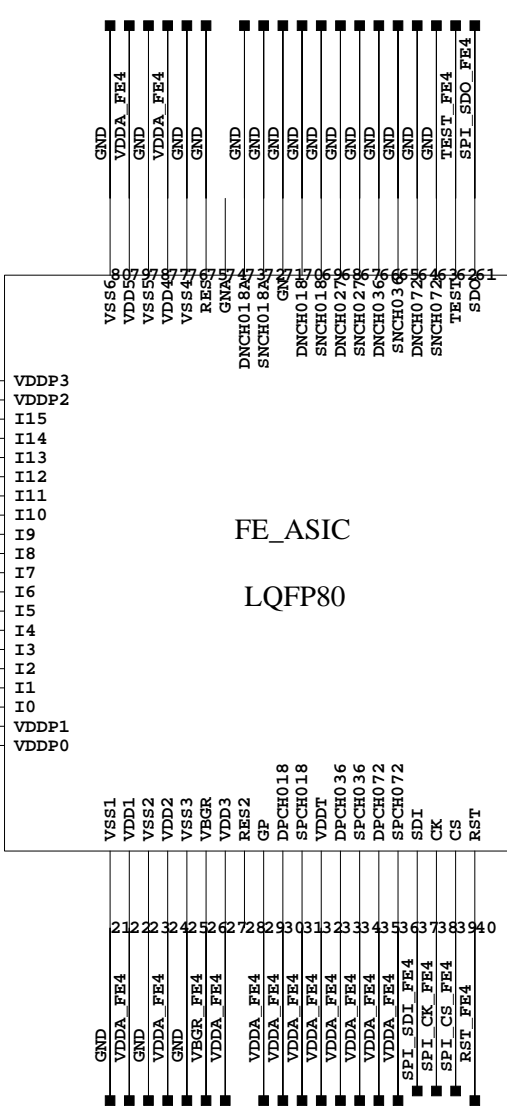
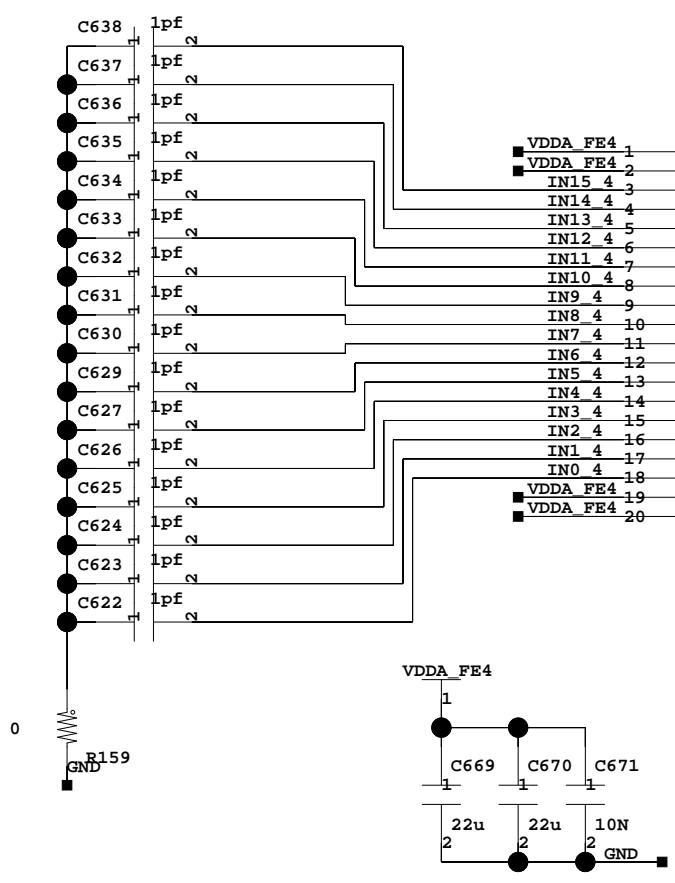
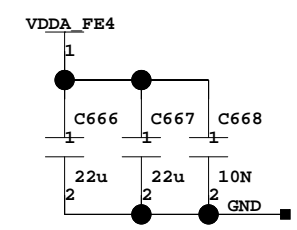
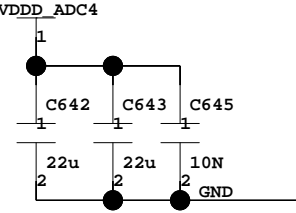
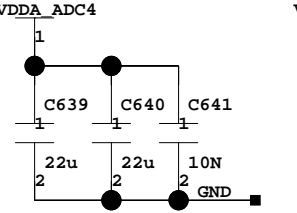
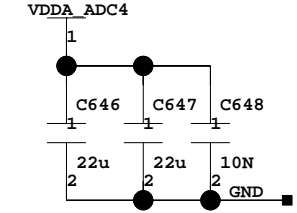
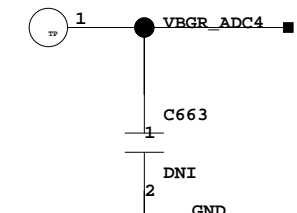
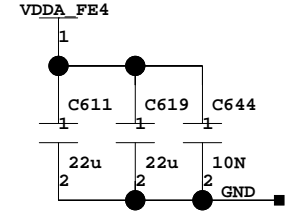
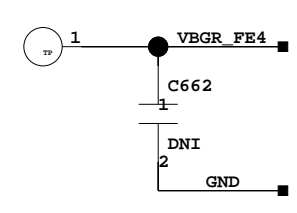


BROOKHAVEN NATIONAL LABORATORY
 INSTRUMENTATION DIVISION
 BLDG. 535B
 UPTON N.Y. 11973

ADC_CHIP_TESTER

ADC ASIC 3 PWR Monitor and

Date: 19/07/2017:11:58
 DRAWN BY: Jack Fried

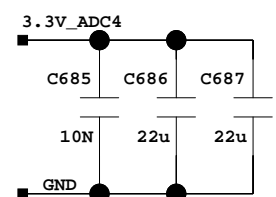
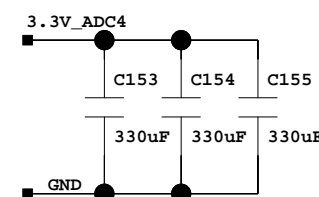
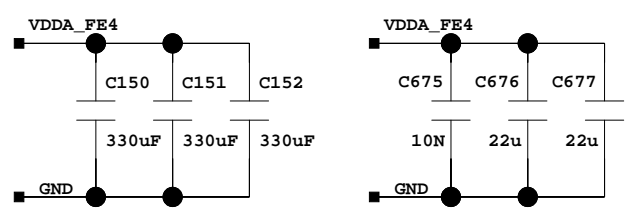
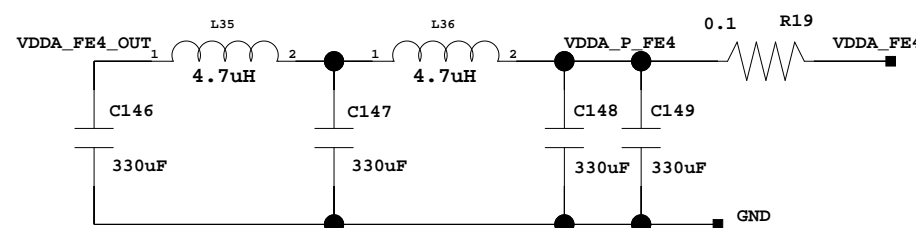
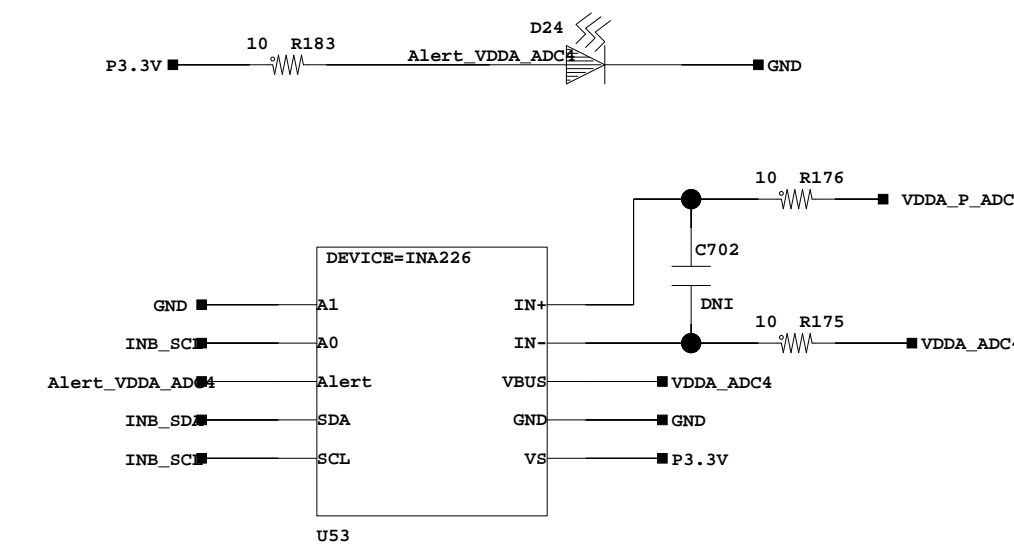
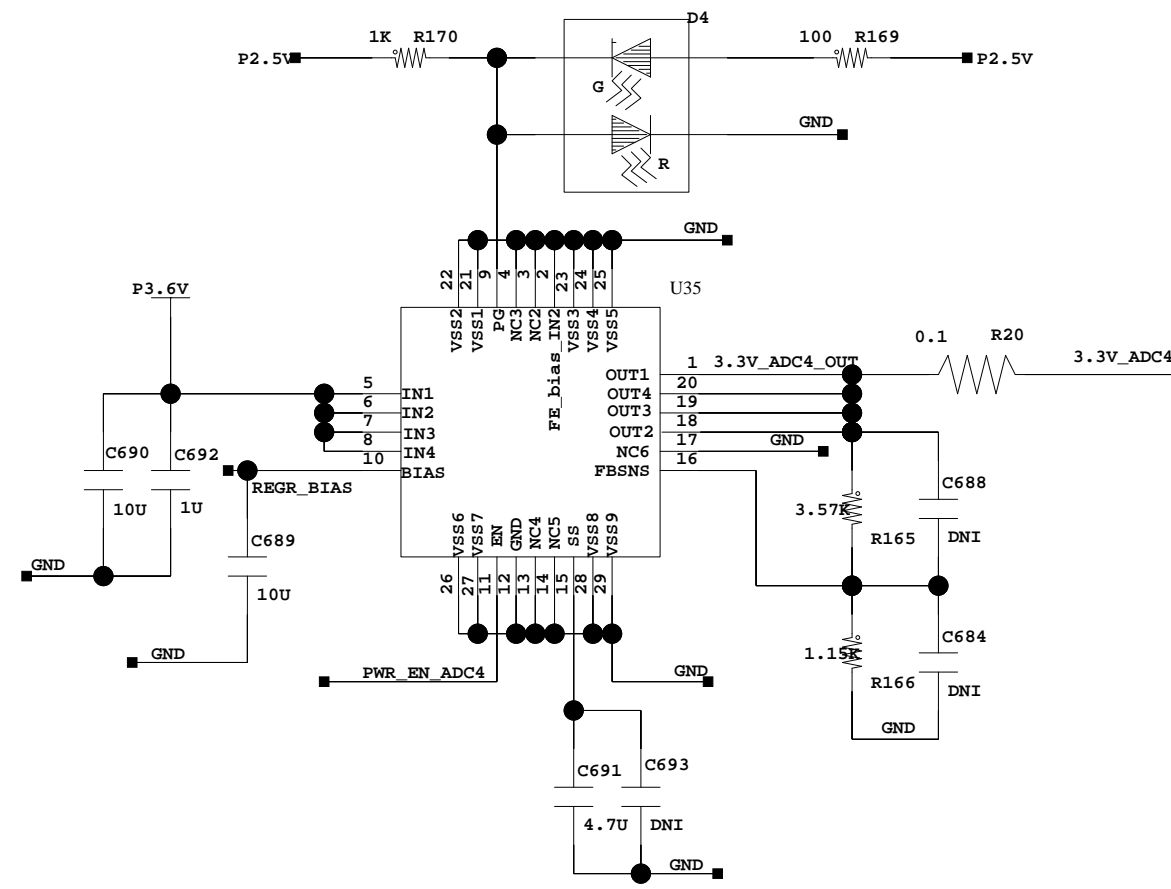
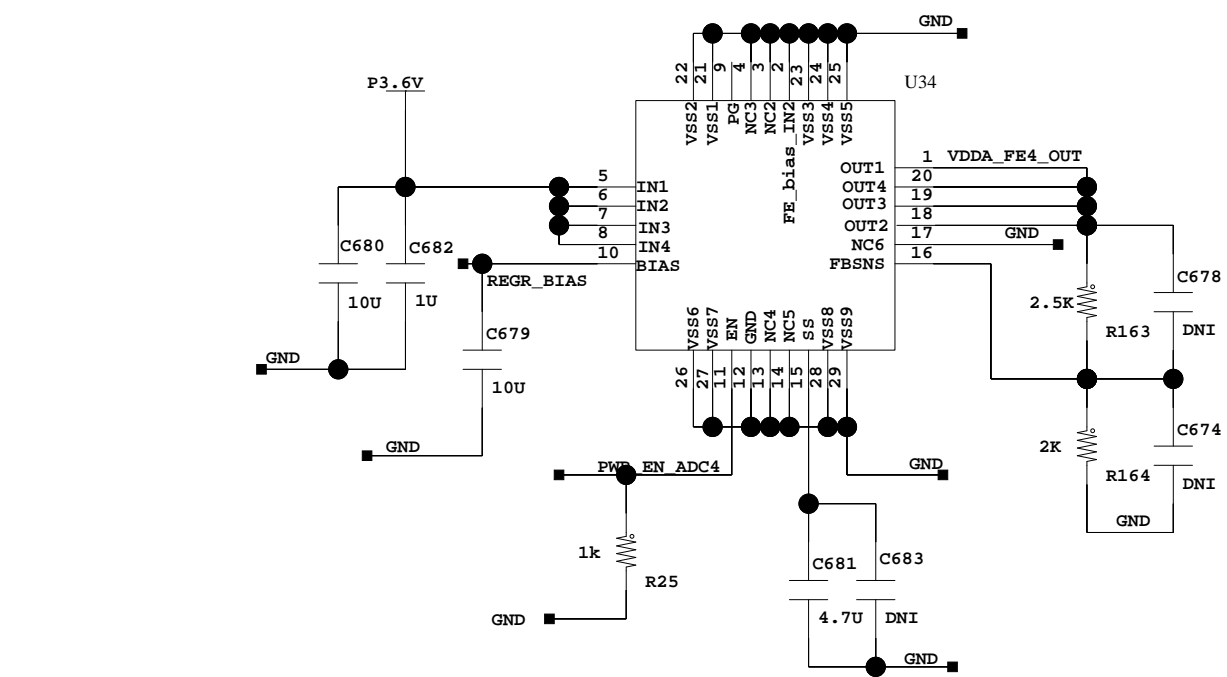
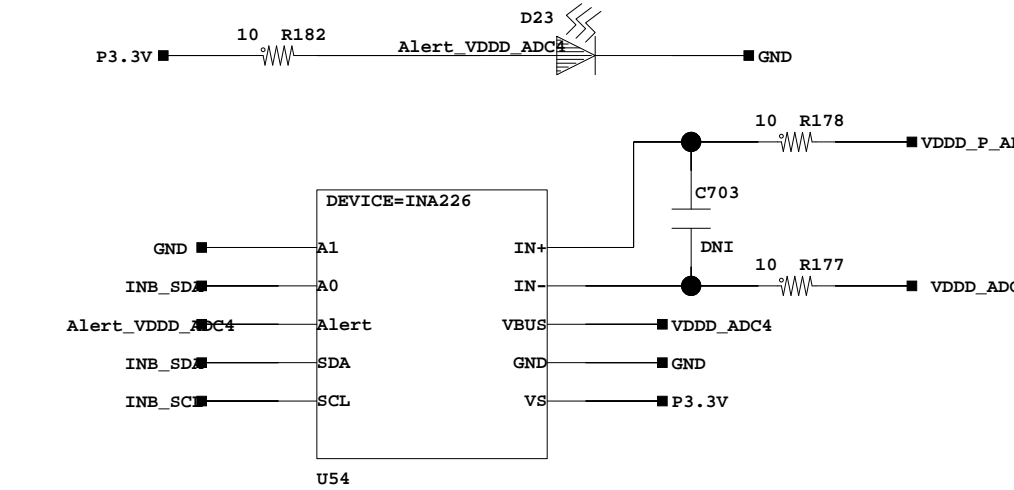
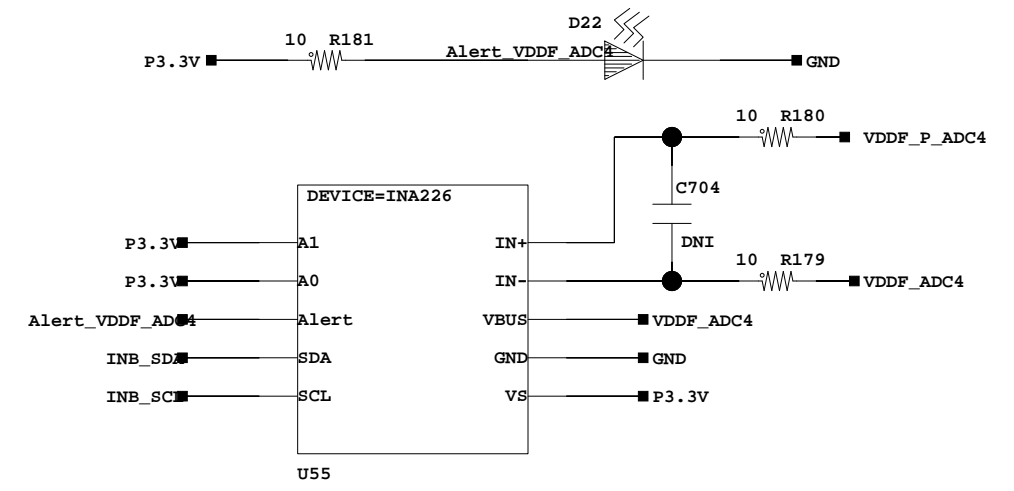
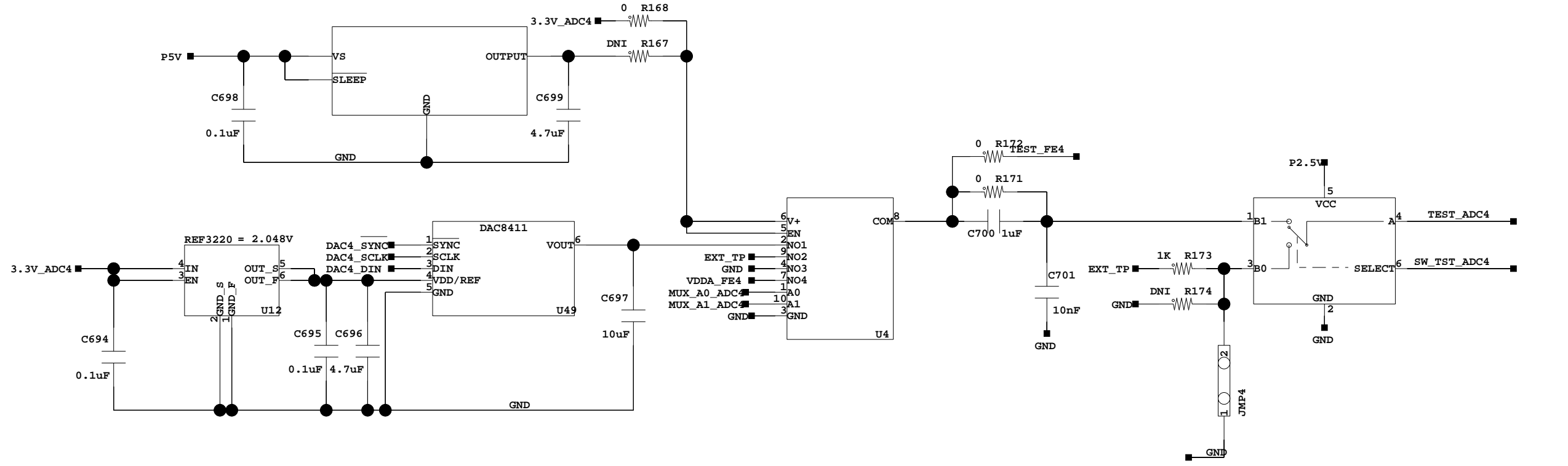


BROOKHAVEN NATIONAL LABORATORY
 INSTRUMENTATION DIVISION
 BLDG. 535B
 UPTON N.Y. 11973

ADC_CHIP_TESTER

ADC_ASIC_SOCKET_4

Date: 19/07/2017:11:33
 DRAWN BY: Jack Fried



BROOKHAVEN NATIONAL LABORATORY
 INSTRUMENTATION DIVISION
 BLDG. 535B
 UPTON N.Y. 11973

ADC_CHIP_TESTER

ADC ASIC 4 PWR Monitor and

Date: 19/07/2017:11:58
 DRAWN BY: Frank Fried