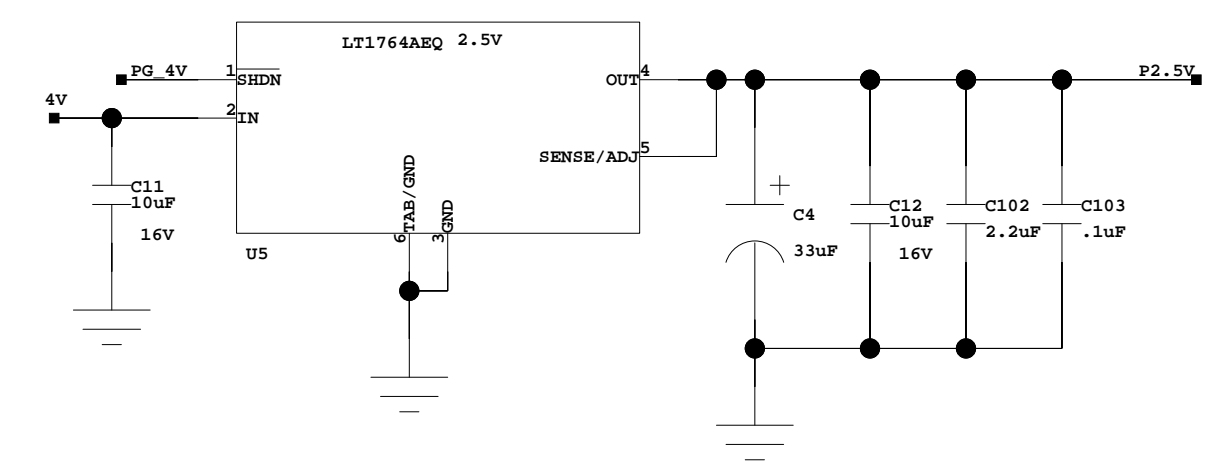
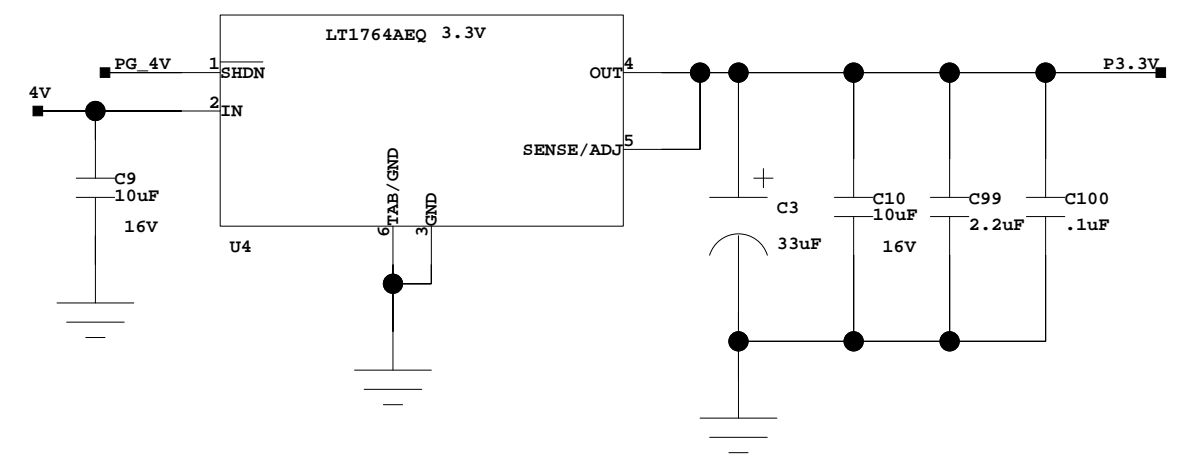
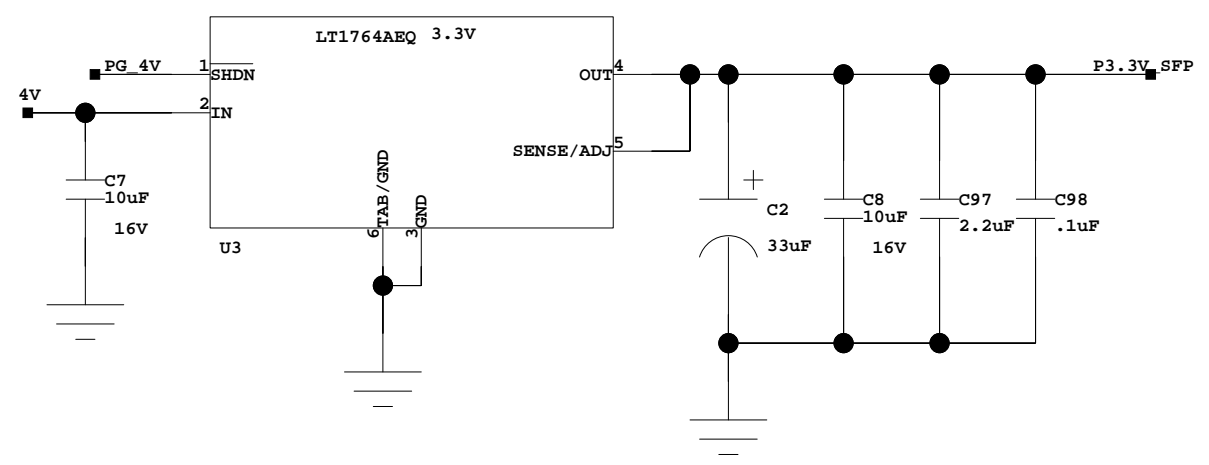
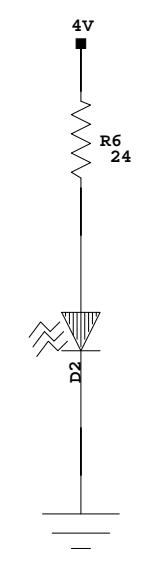
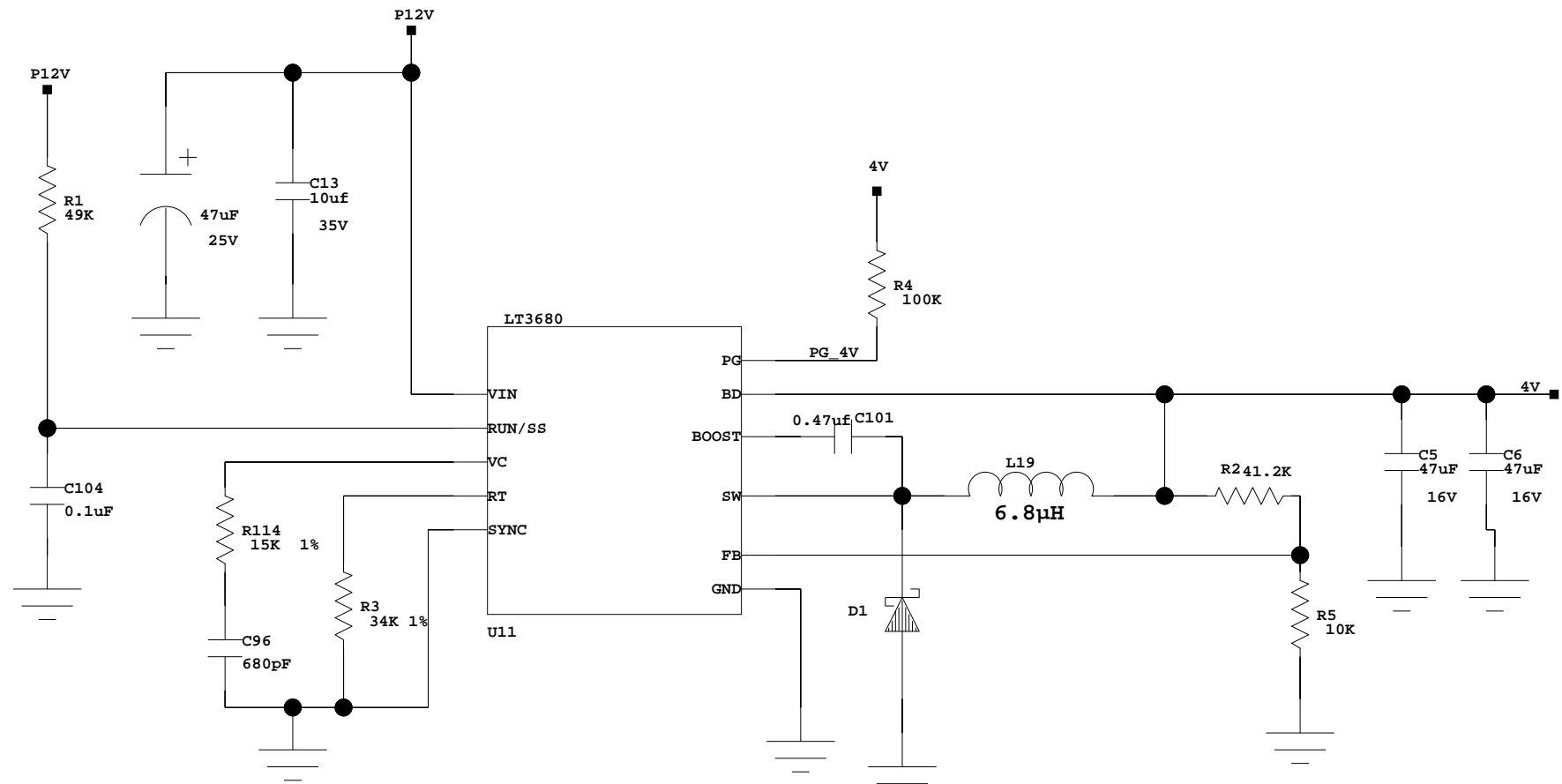


BROOKHAVEN NATIONAL LABORATORY
INSTRUMENTATIONS DIVISION
BLDG. 535B
UPTON N.Y. 11973

ANSTO DISTRIBUTION BOX

Date: **18/01/2018:17:29** Drawn By: **Jack Fried**



BROOKHAVEN NATIONAL LABORATORY
INSTRUMENTATION DIVISION

ADB POWER

Date: 21/12/2017:16:31 DRAWN BY: Jack Fried