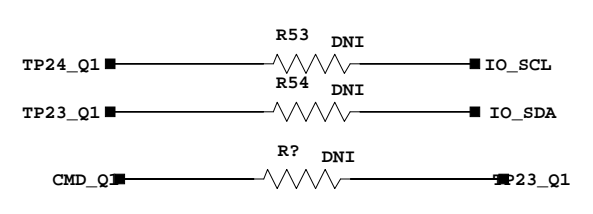
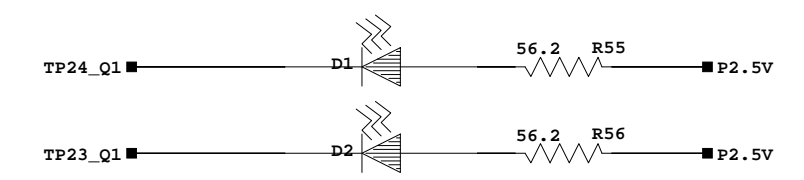
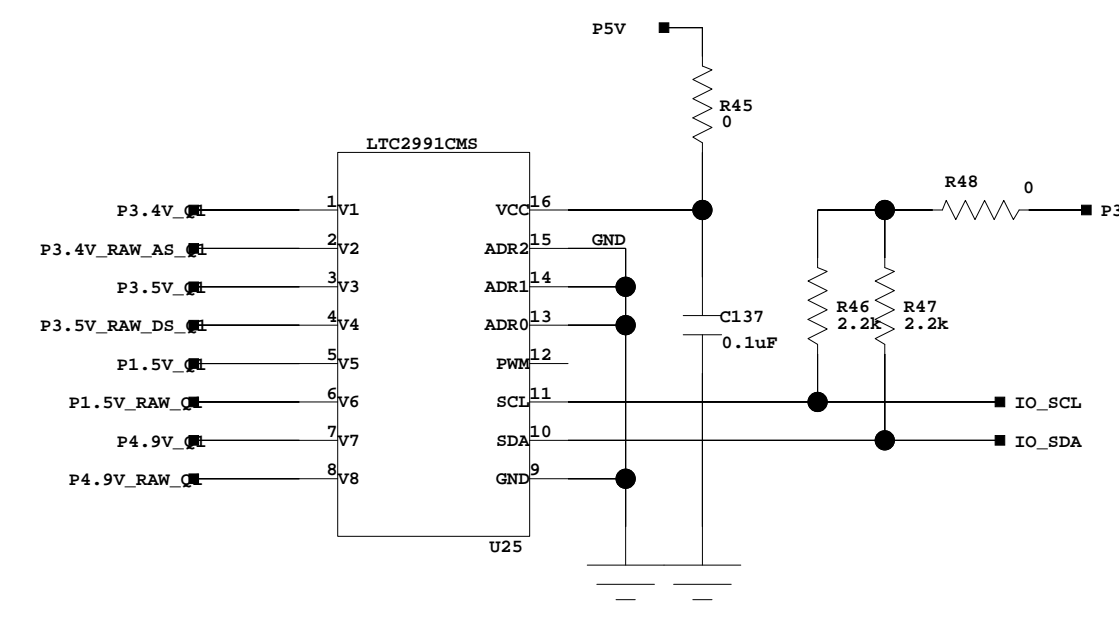
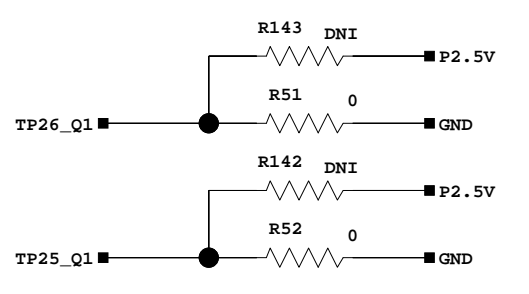
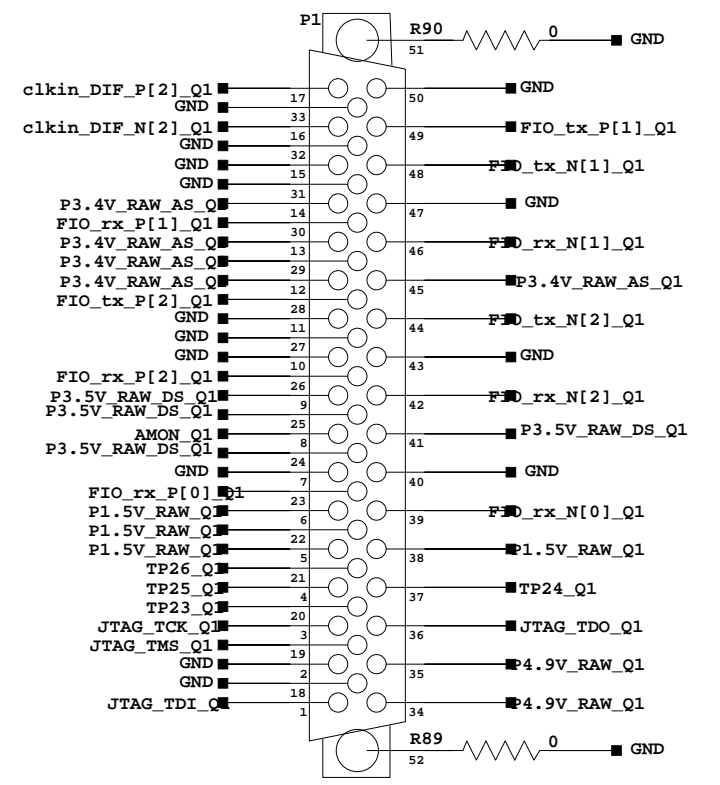
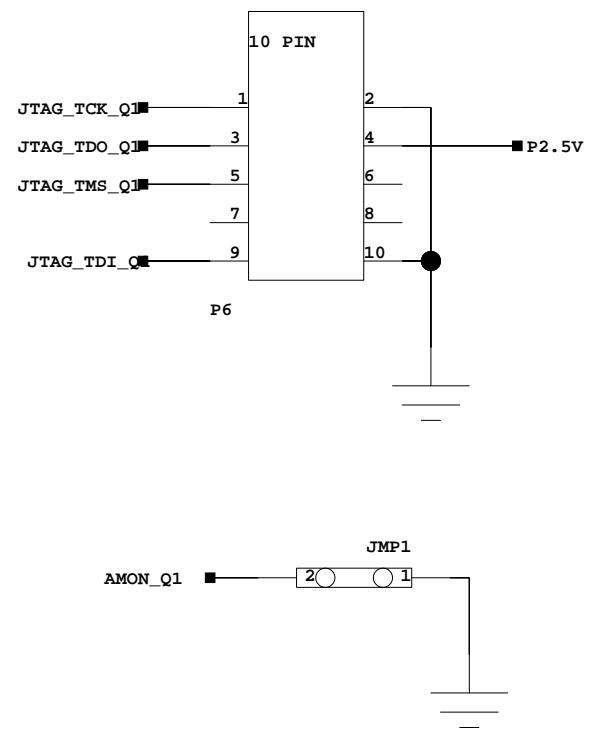
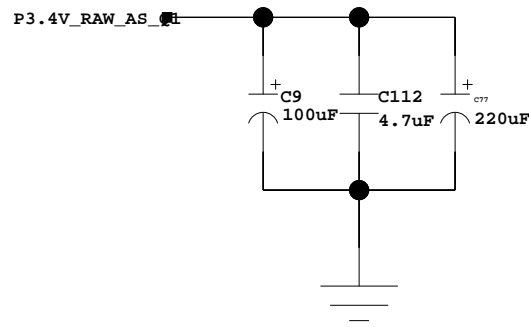
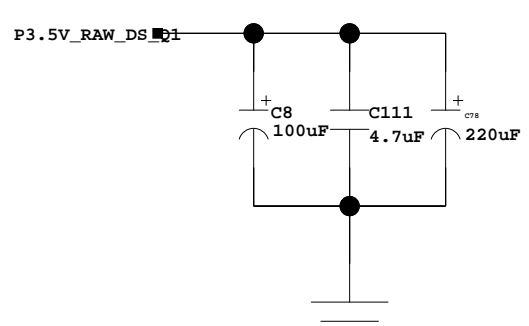
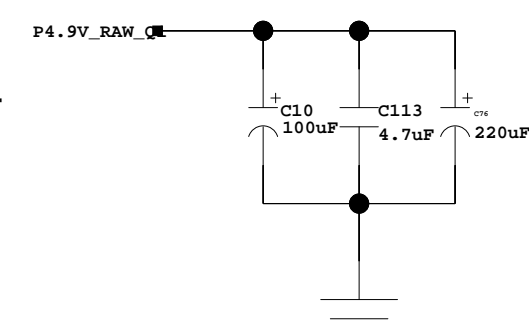
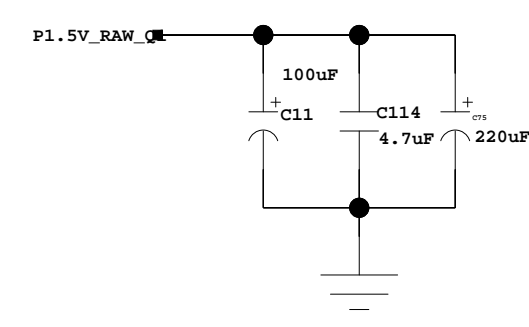
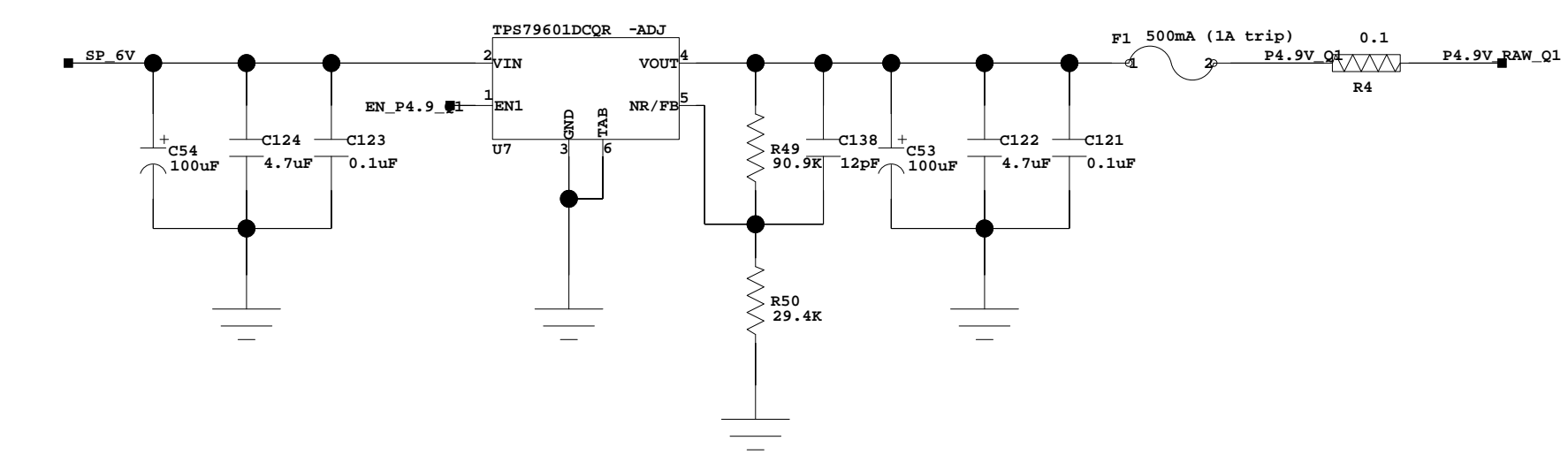
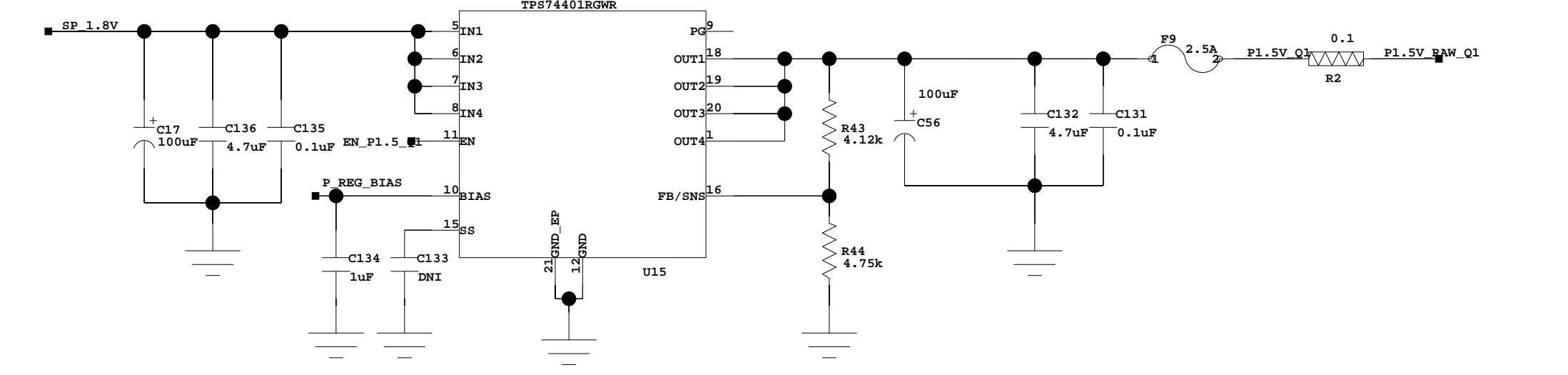
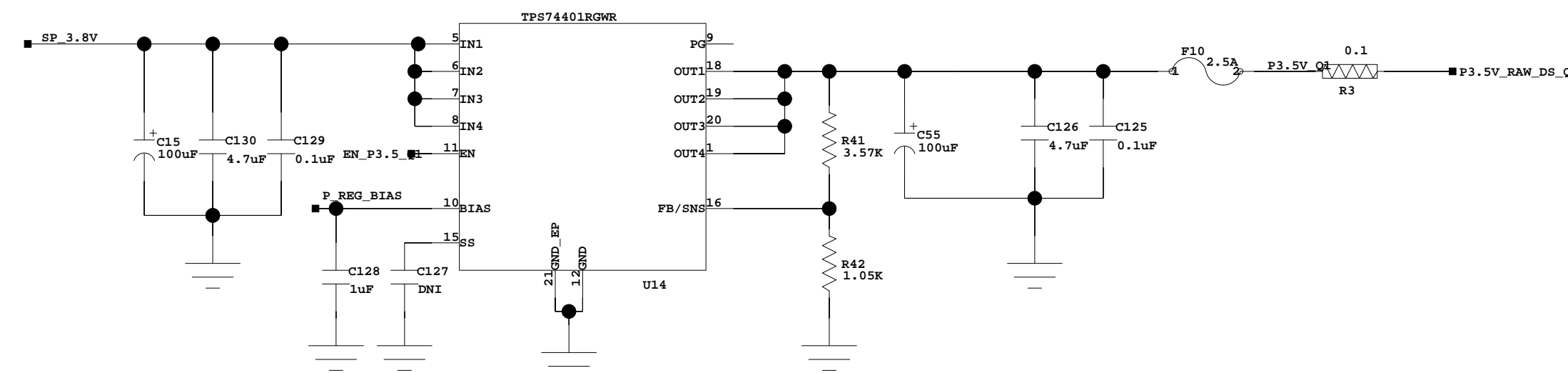
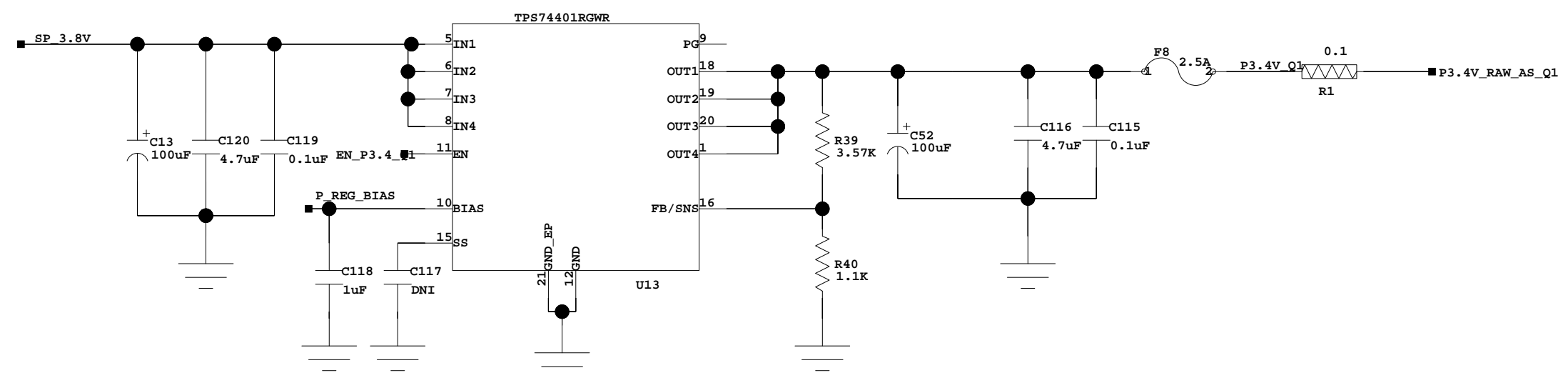


BROOKHAVEN NATIONAL LABORATORY
INSTRUMENTATION DIVISION
BLDG. 535B
UPTON N.Y. 11973

IMP BACK PLATE DB CONNECTION

Date: 05/05/2016:17:08
DRAWN BY: Jack Fried

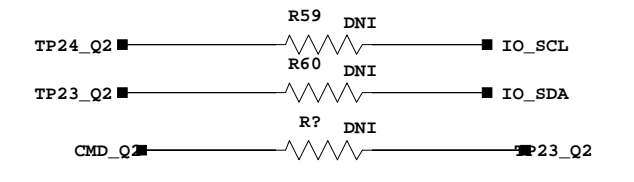
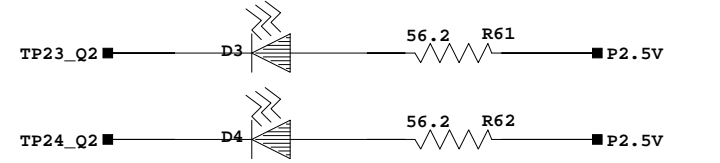
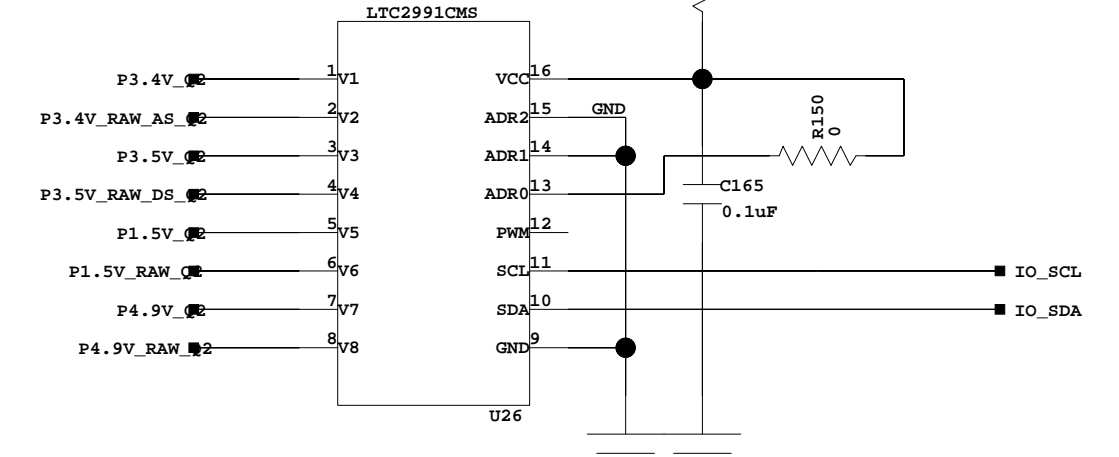
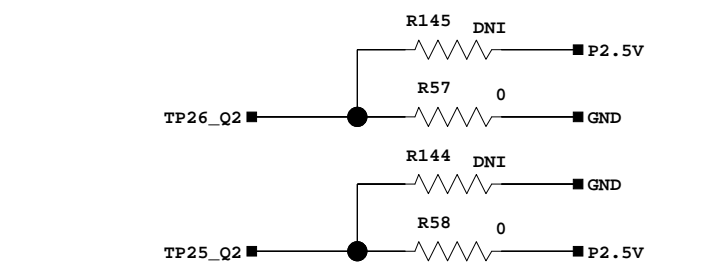
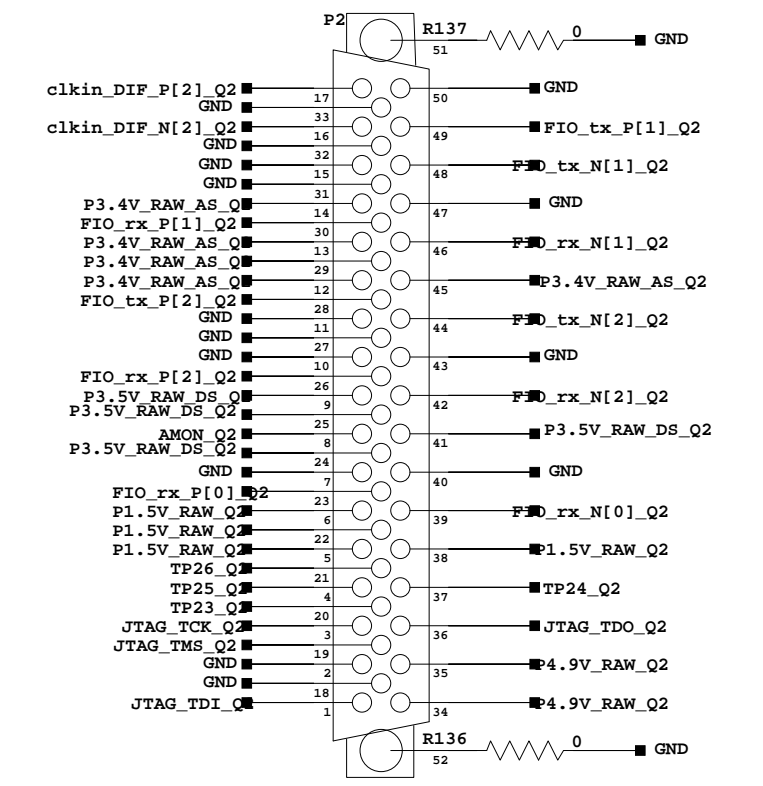
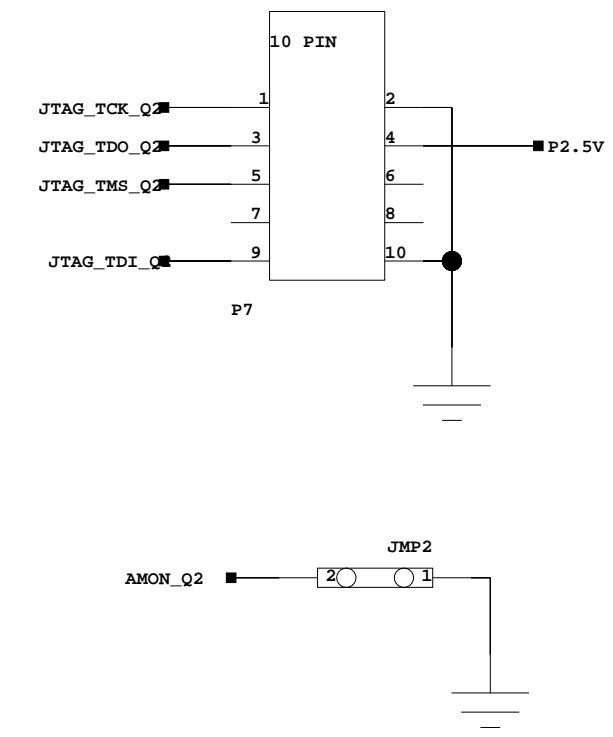
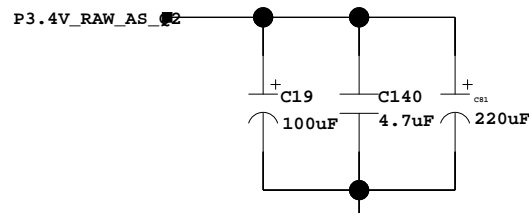
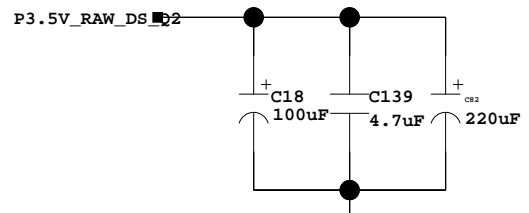
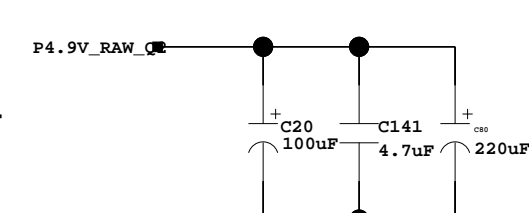
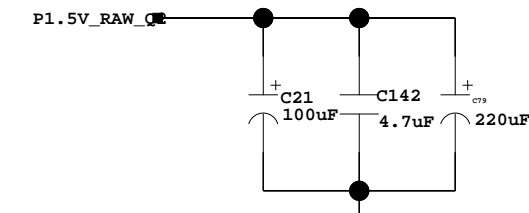
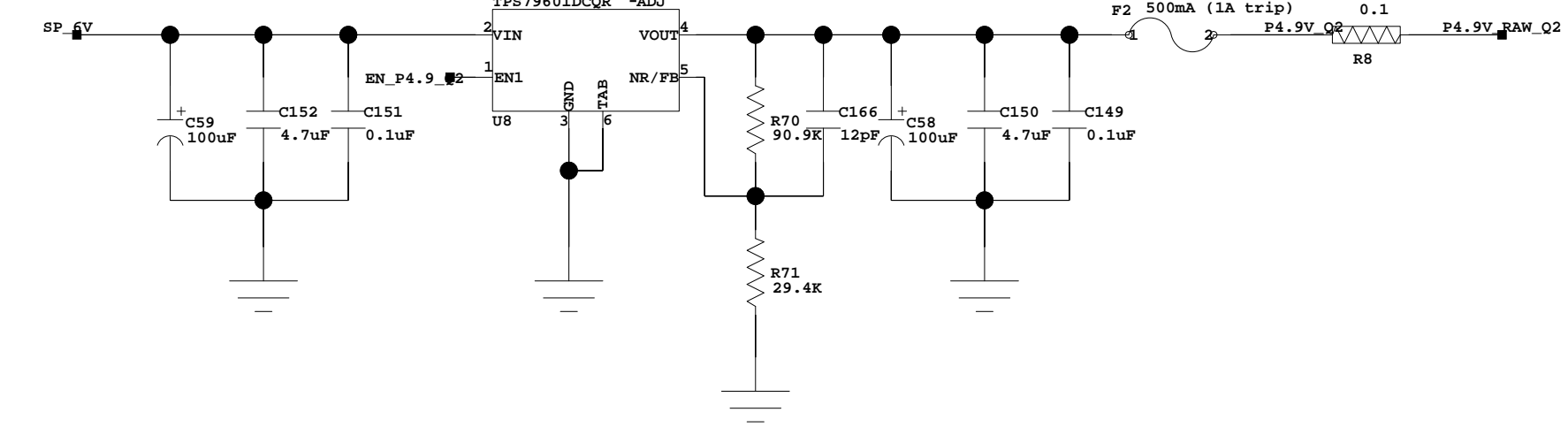
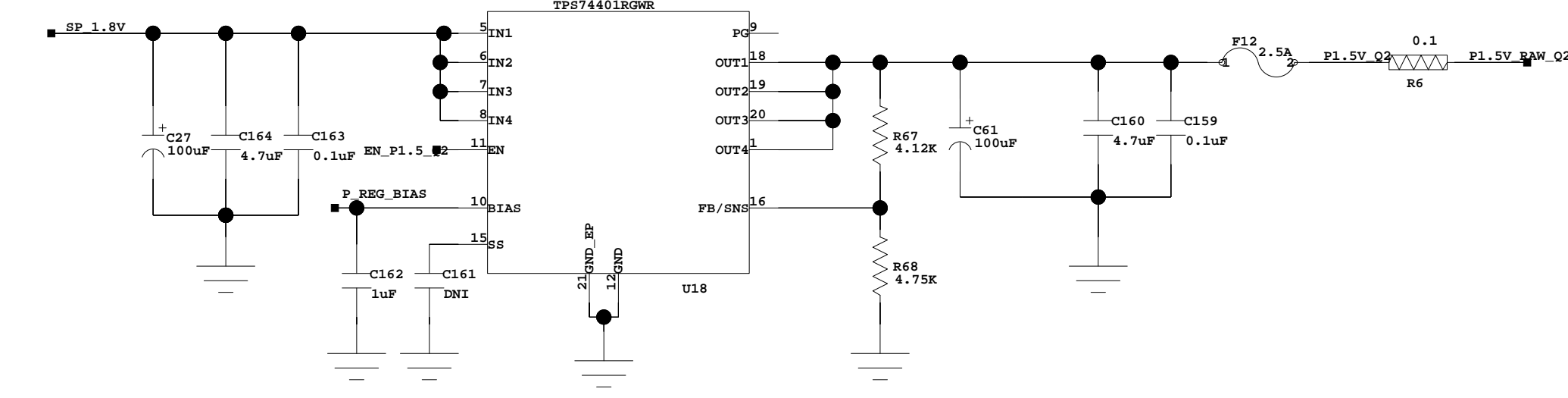
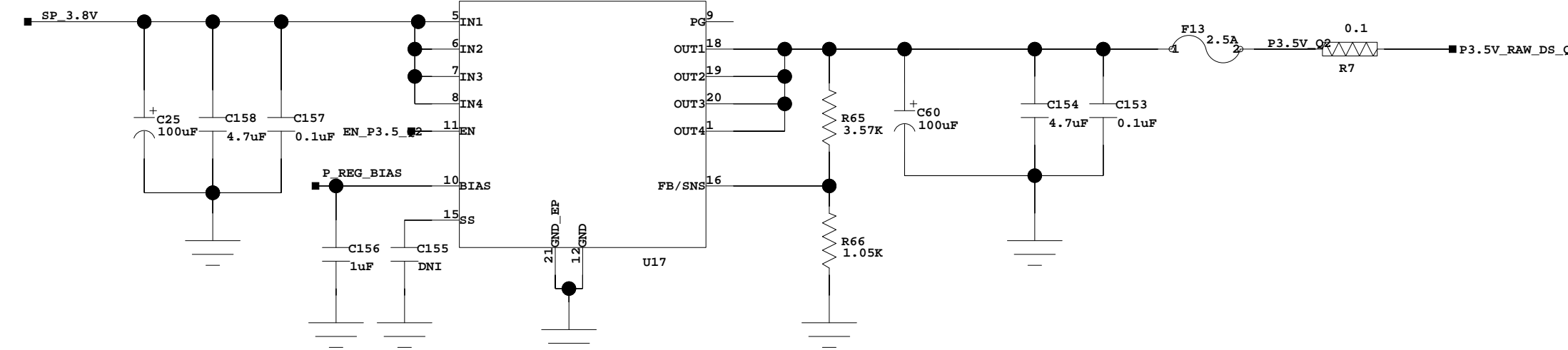
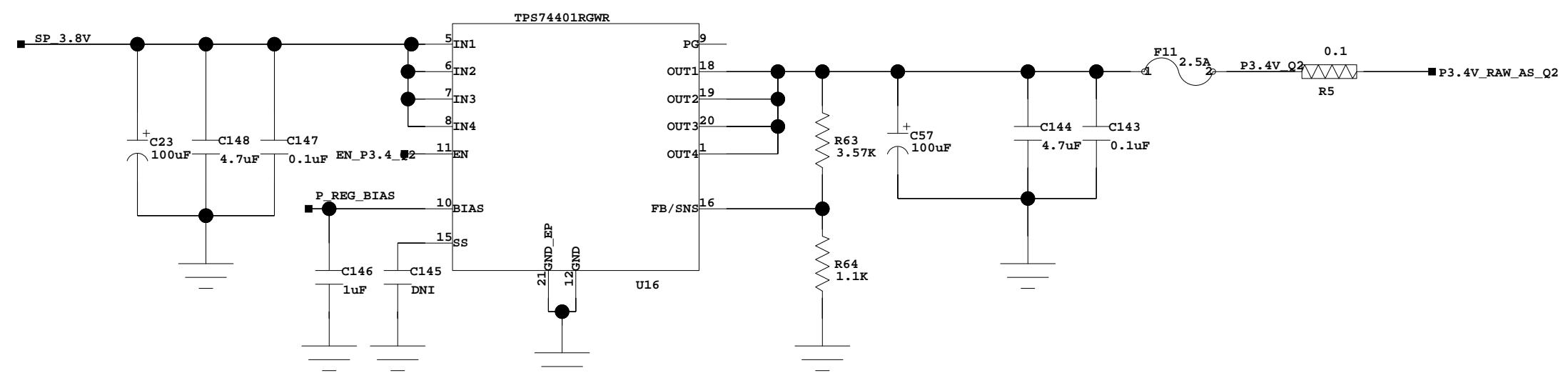


BROOKHAVEN NATIONAL LABORATORY
 INSTRUMENTATION DIVISION
 BLDG. 535B
 UPTON N.Y. 11973

IMP BACK PLATE

PWR & DB CONNECTION FOR QUADRANT ONE

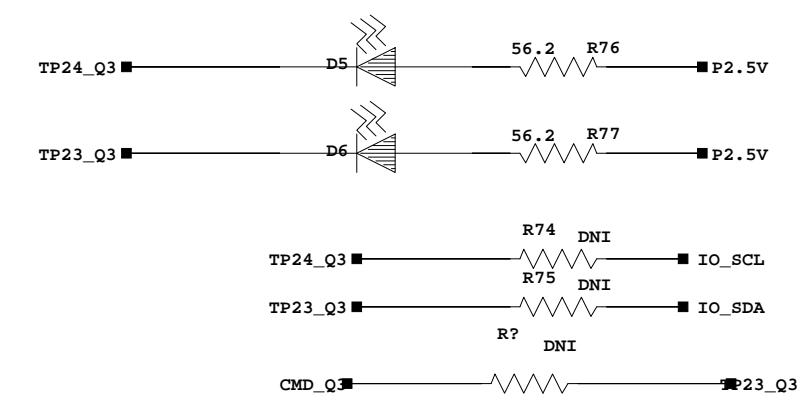
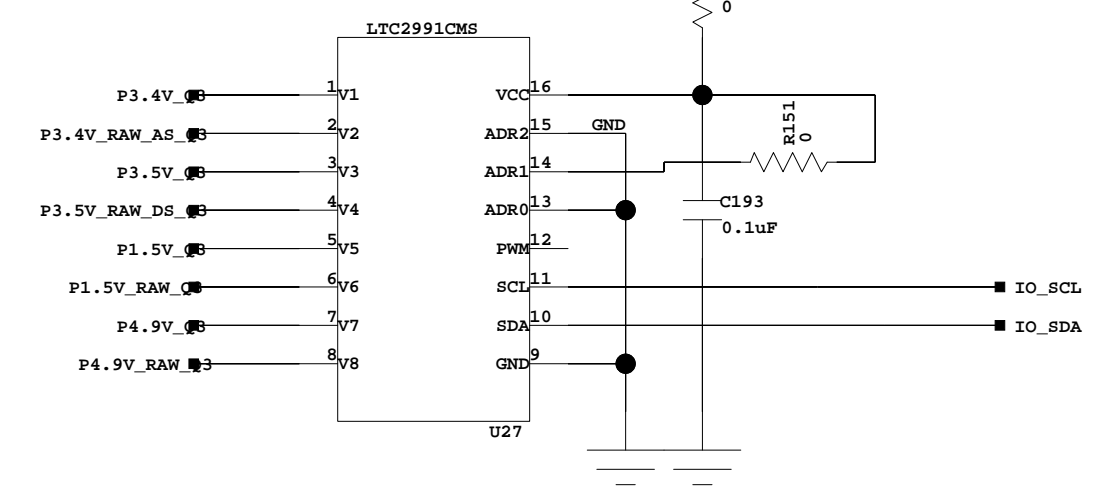
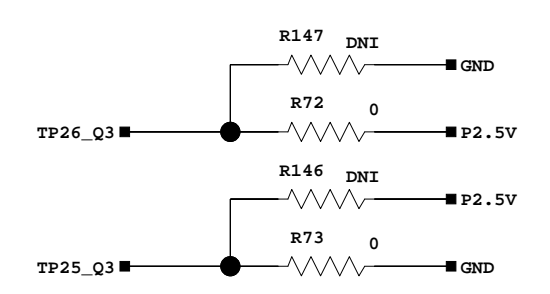
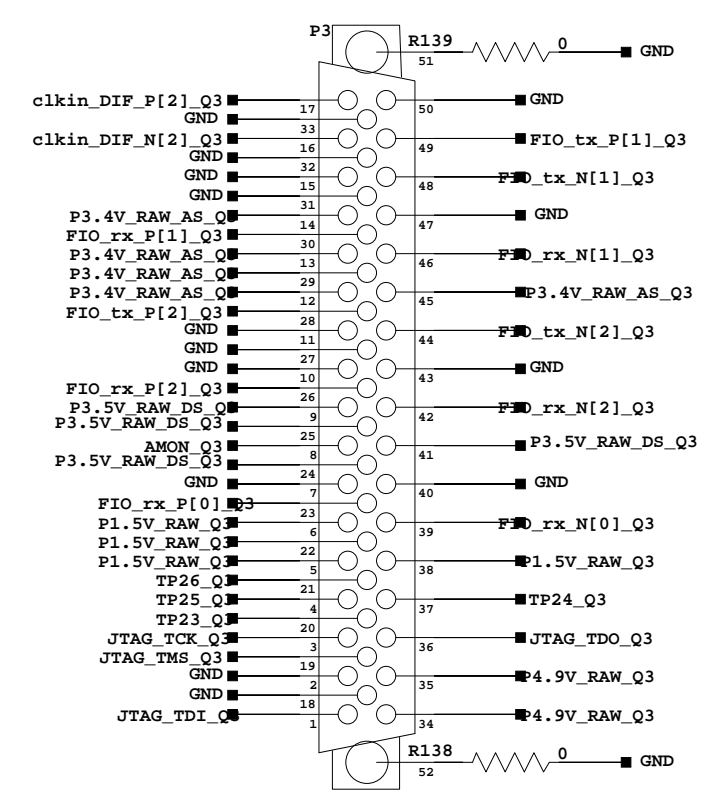
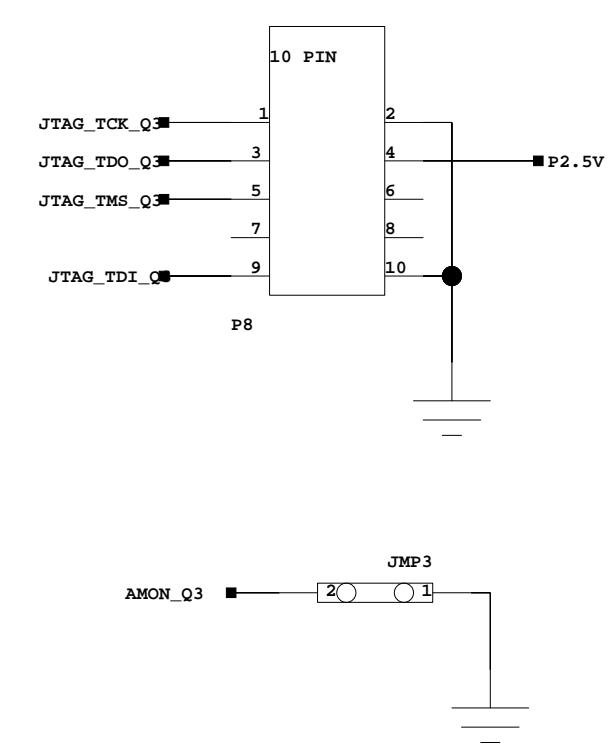
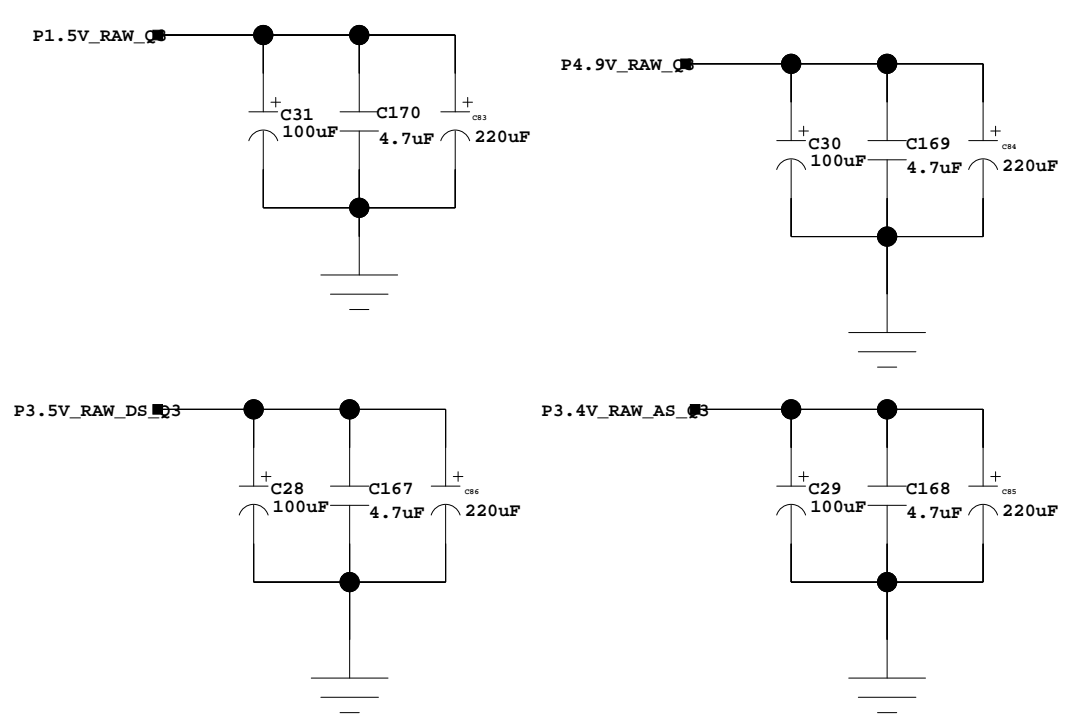
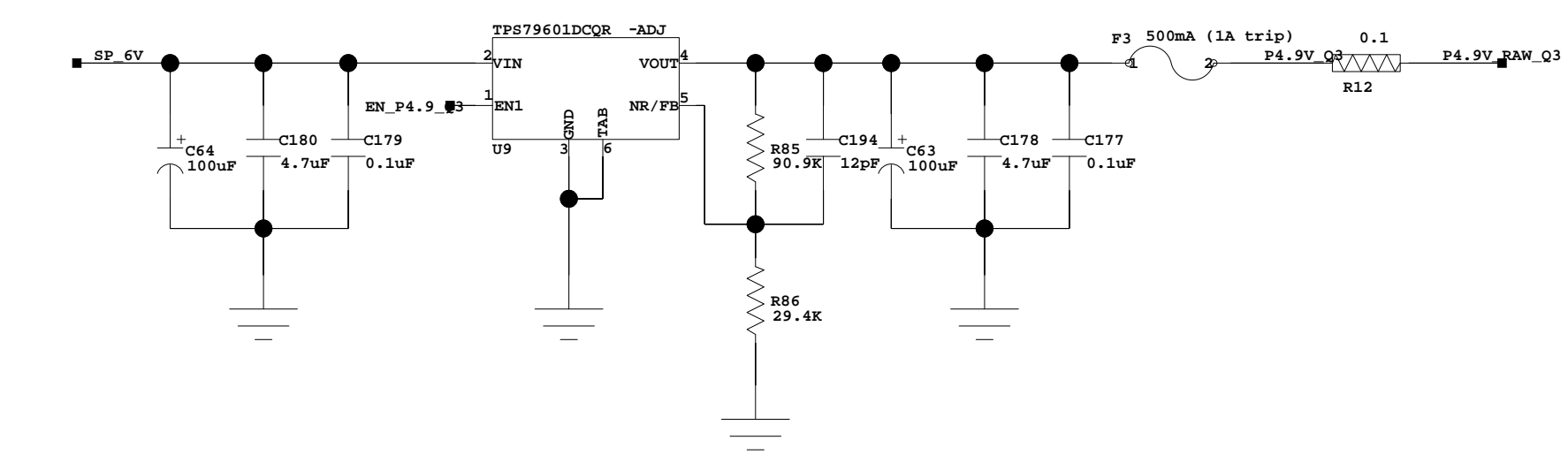
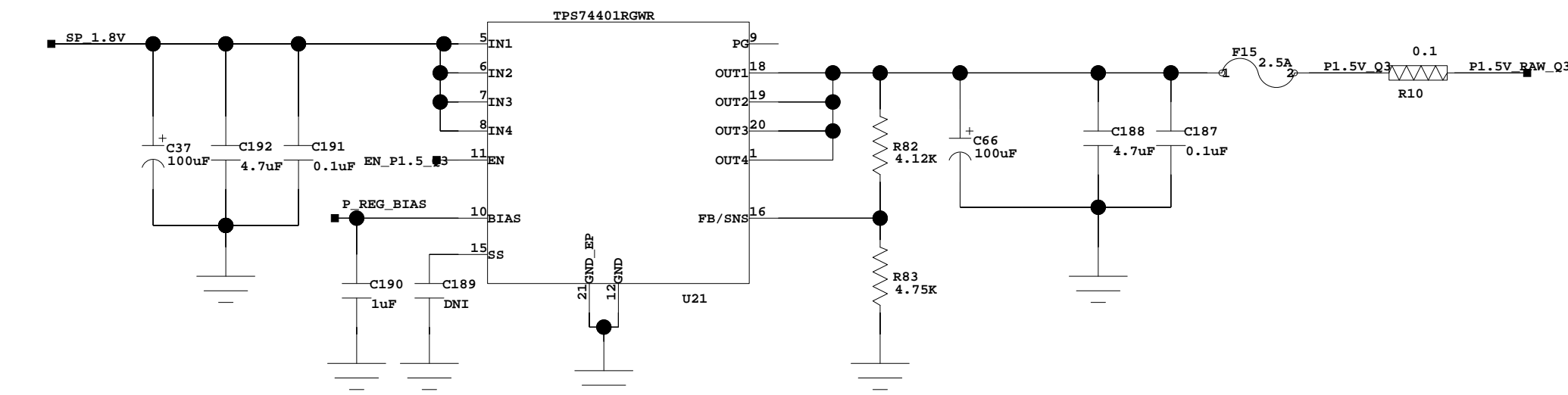
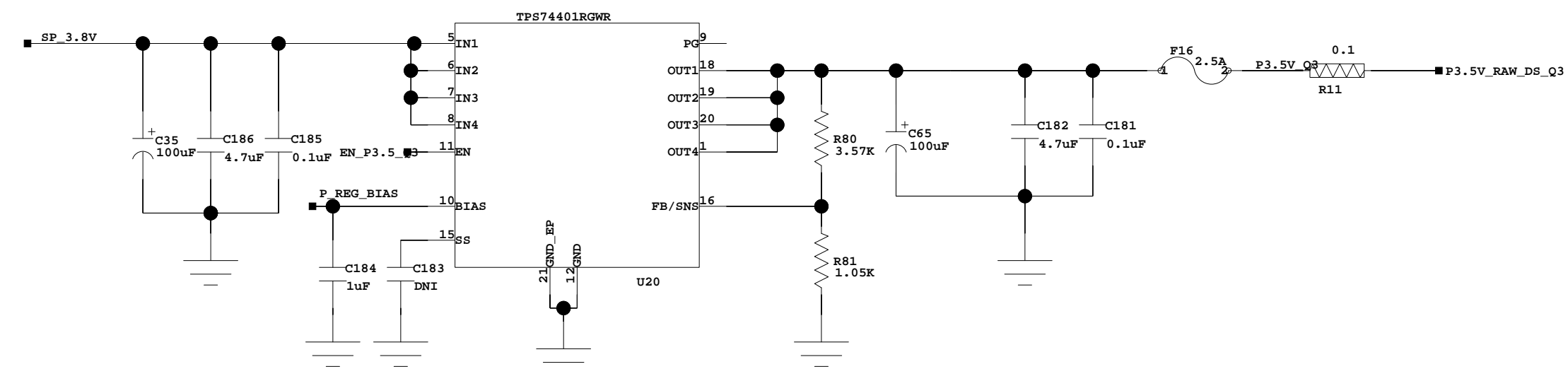
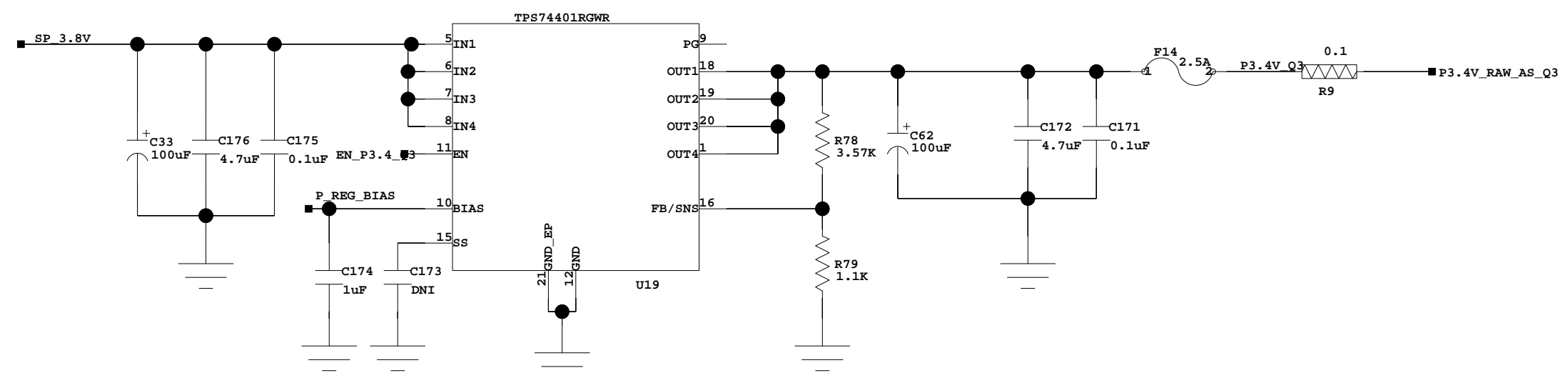
Date: 05/05/2016:17:11
 DRAWN BY: Jack Fried



BROOKHAVEN NATIONAL LABORATORY
 INSTRUMENTATION DIVISION
 BLDG. 535B
 UPTON N.Y. 11973

IMP BACK PLATE DB CONNECTION

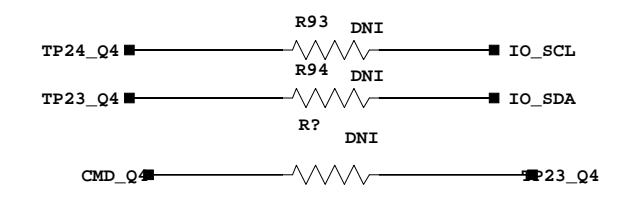
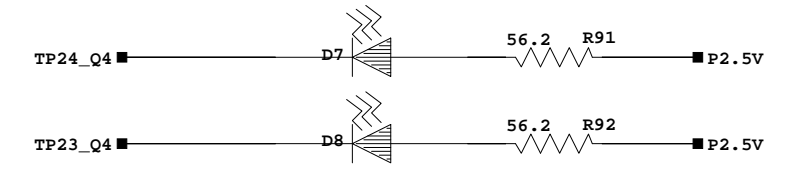
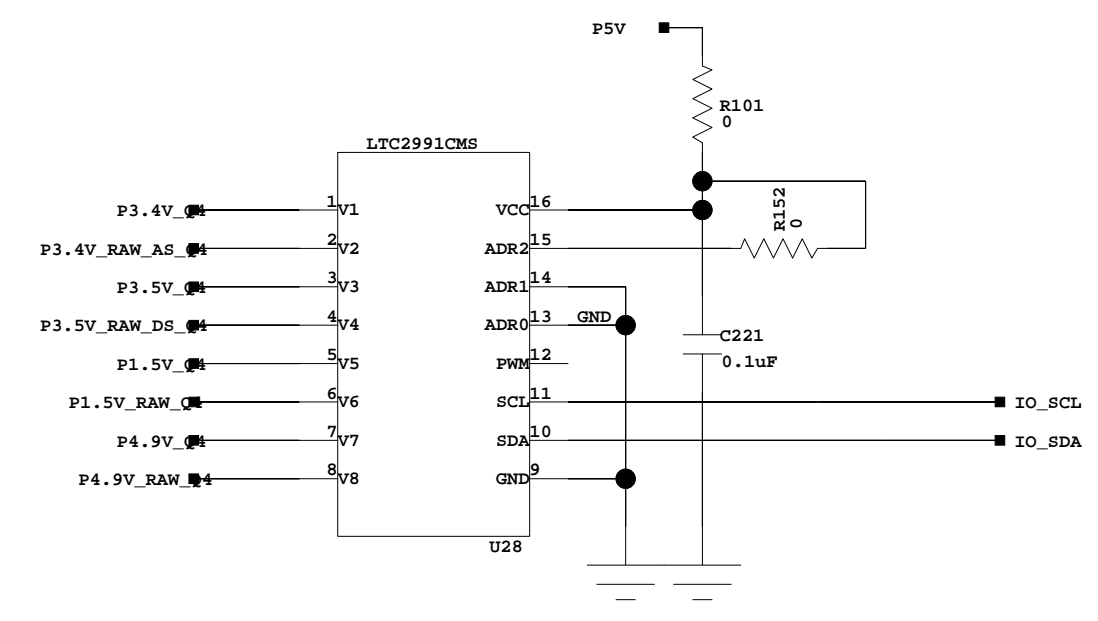
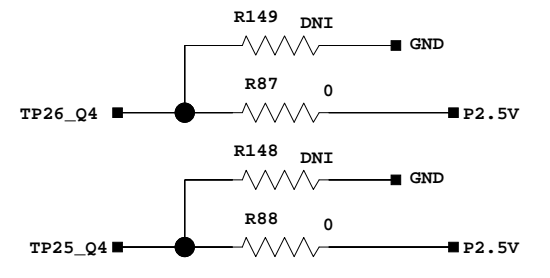
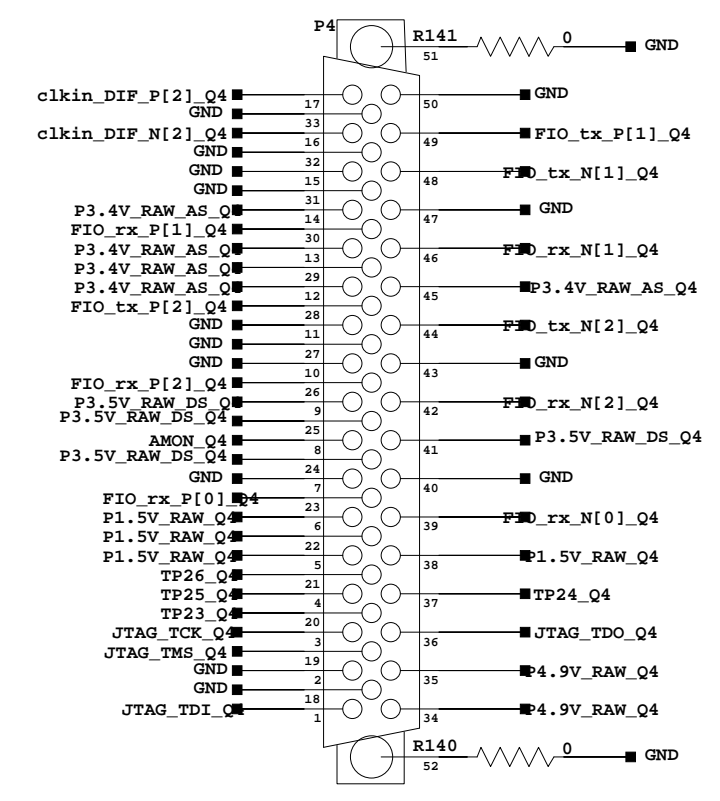
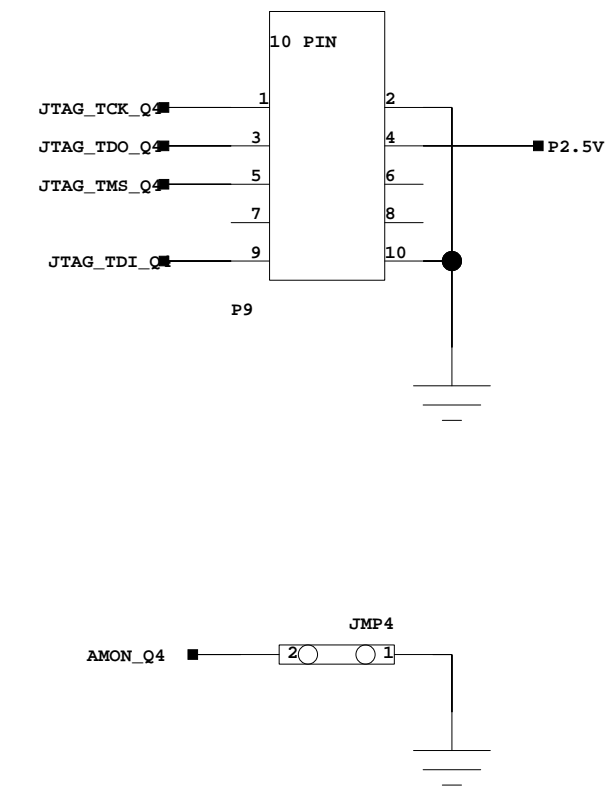
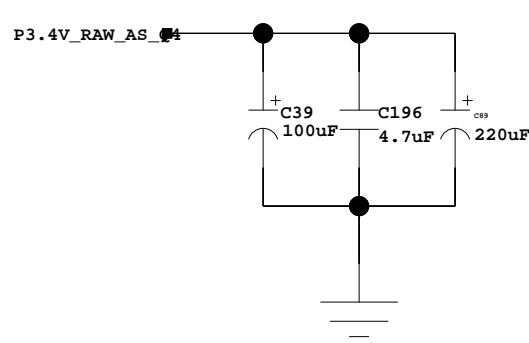
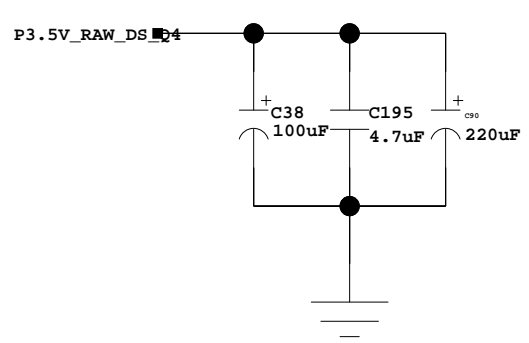
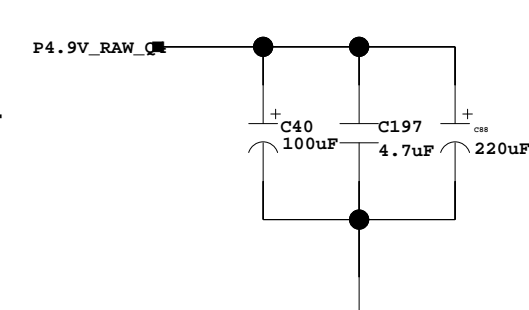
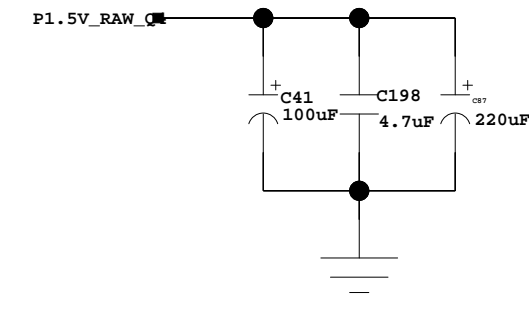
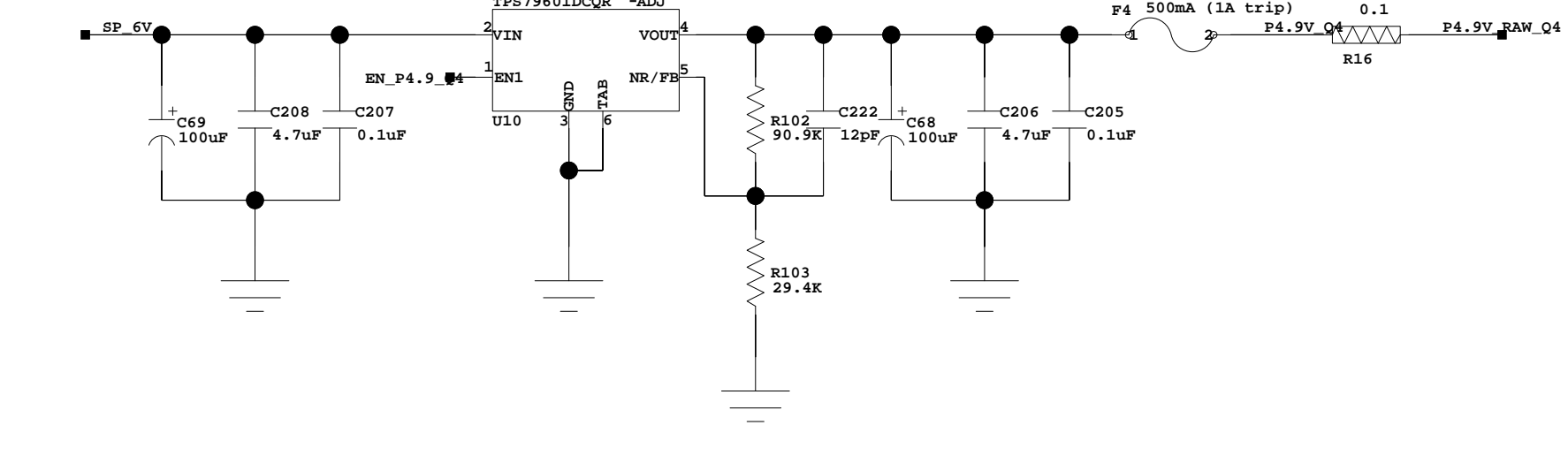
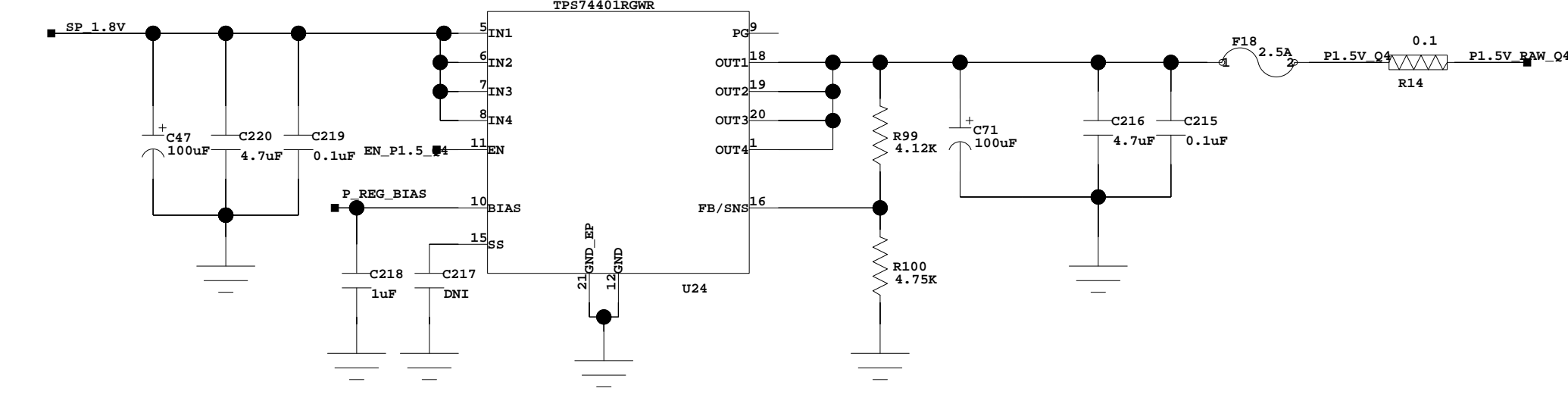
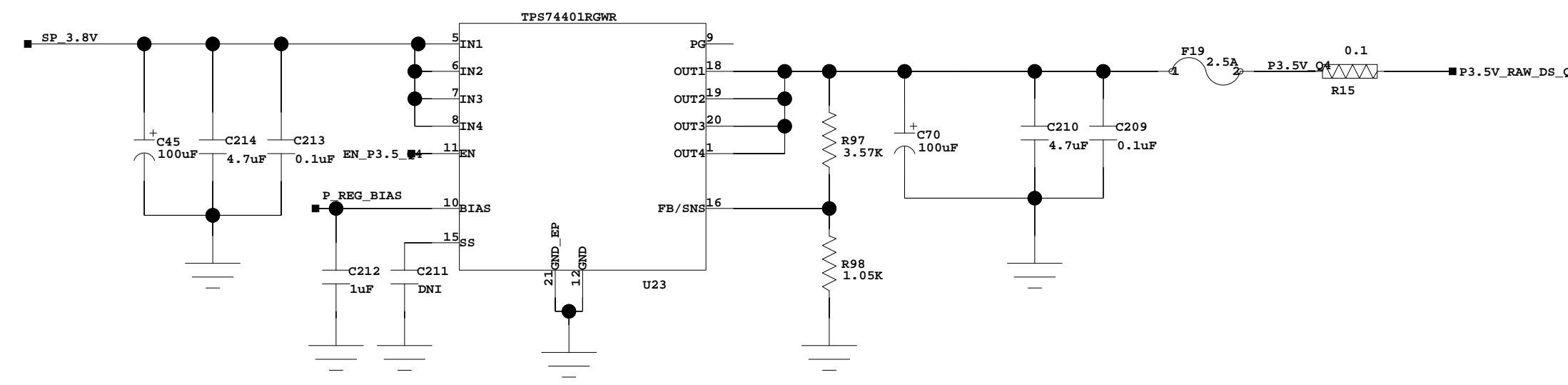
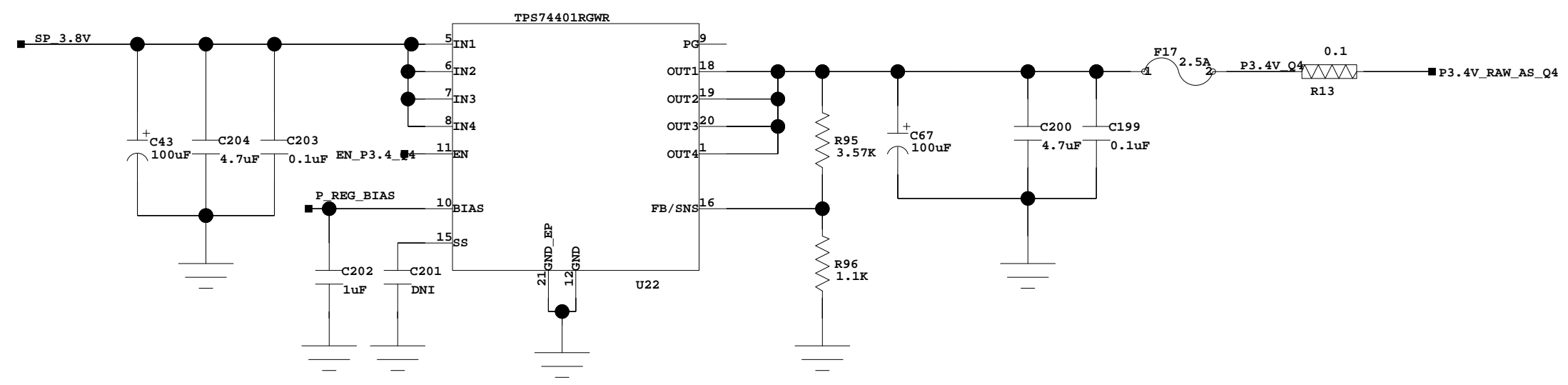
Date: 05/05/2016:17:11
 DRAWN BY: Jack Fried



BROOKHAVEN NATIONAL LABORATORY
 INSTRUMENTATION DIVISION
 BLDG. 535B
 UPTON N.Y. 11973

IMP BACK PLATE DB CONNECTION

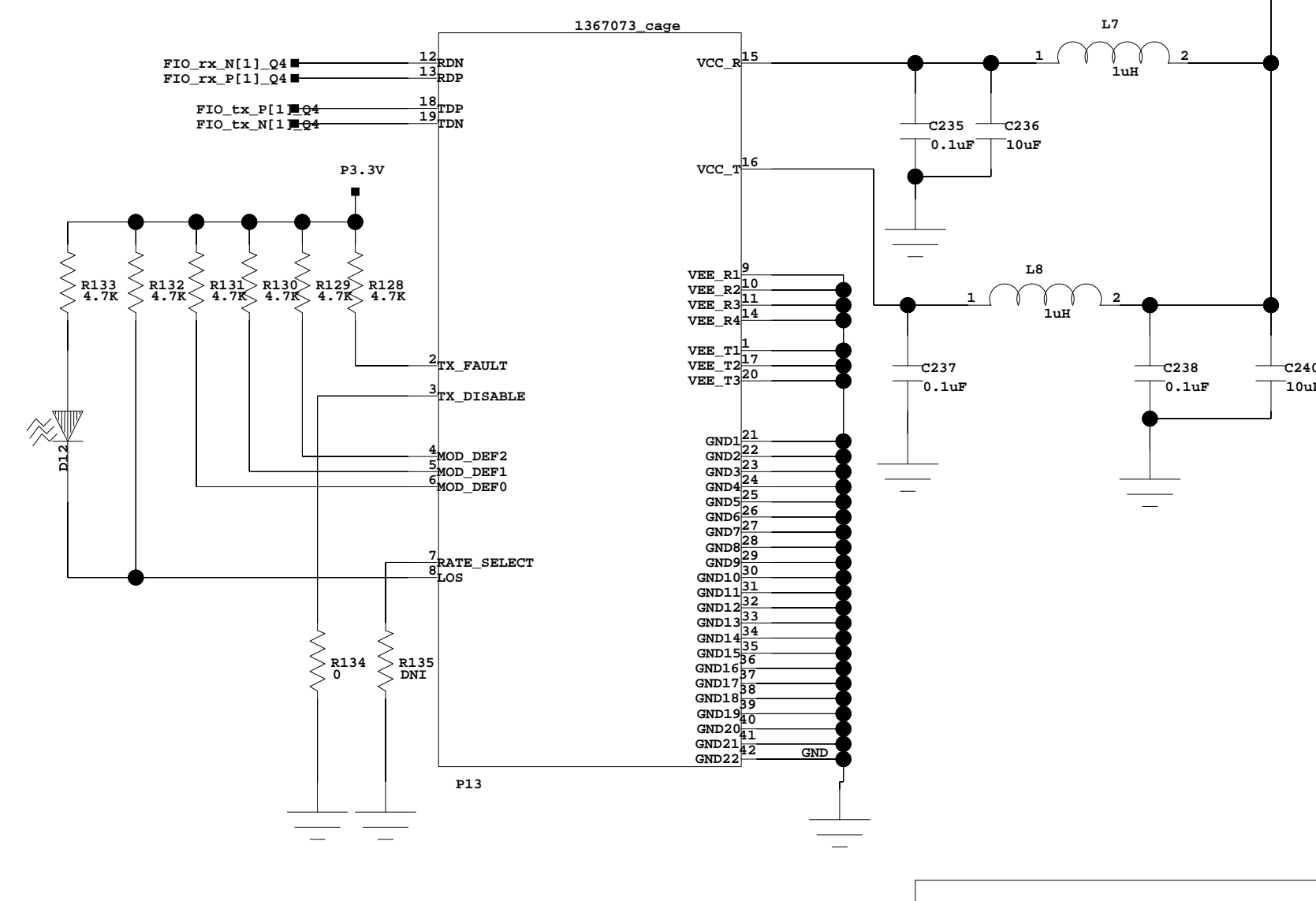
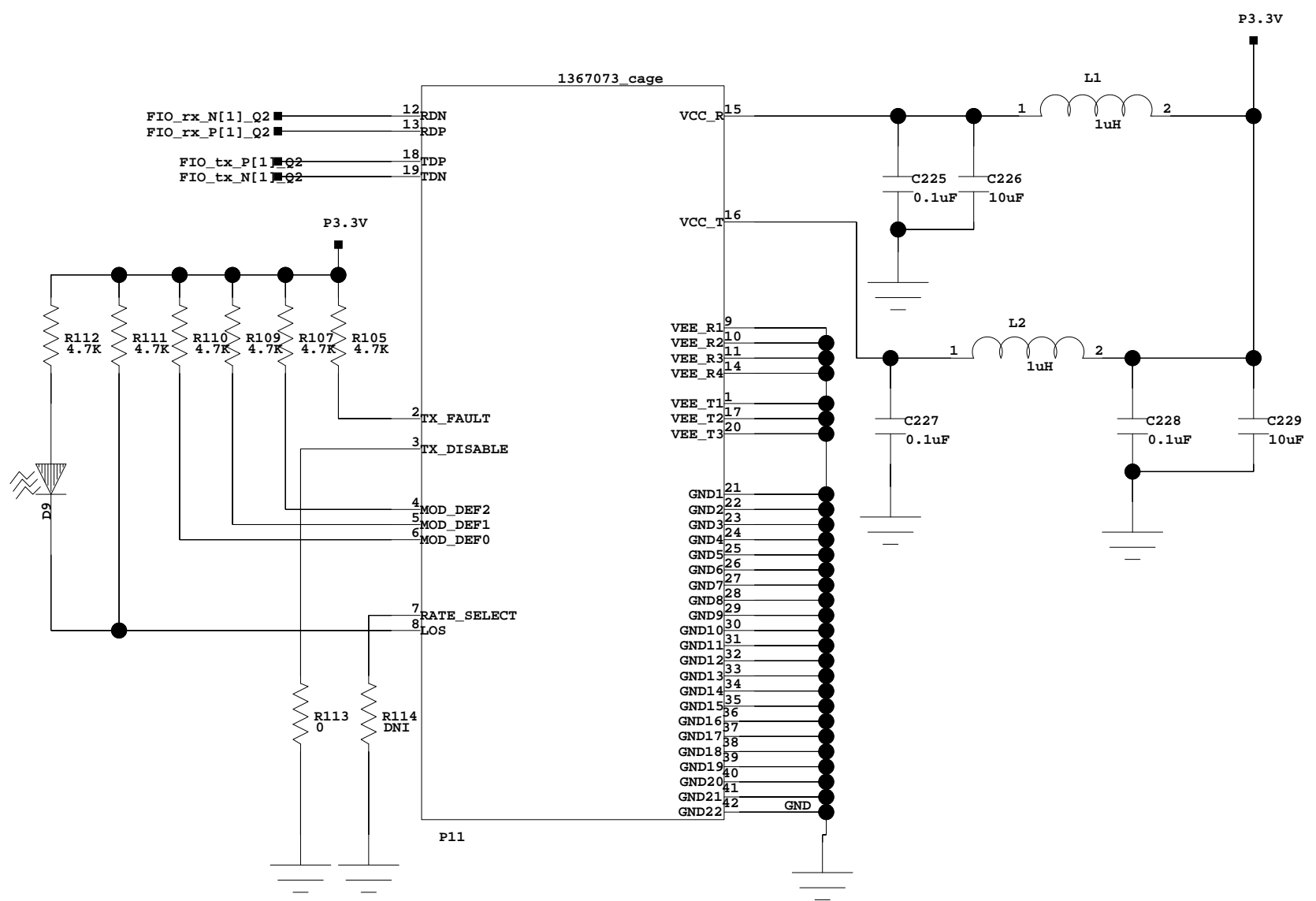
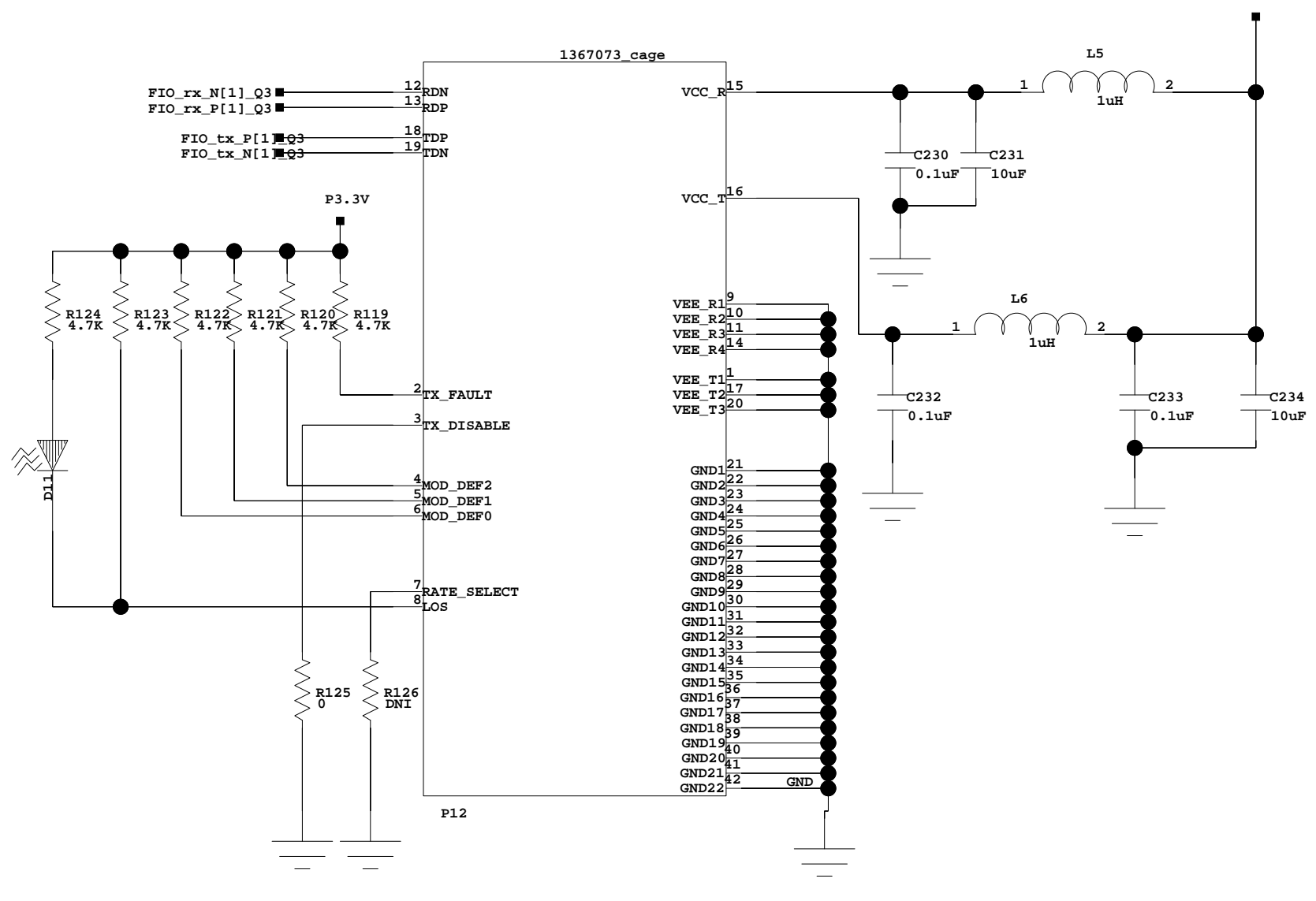
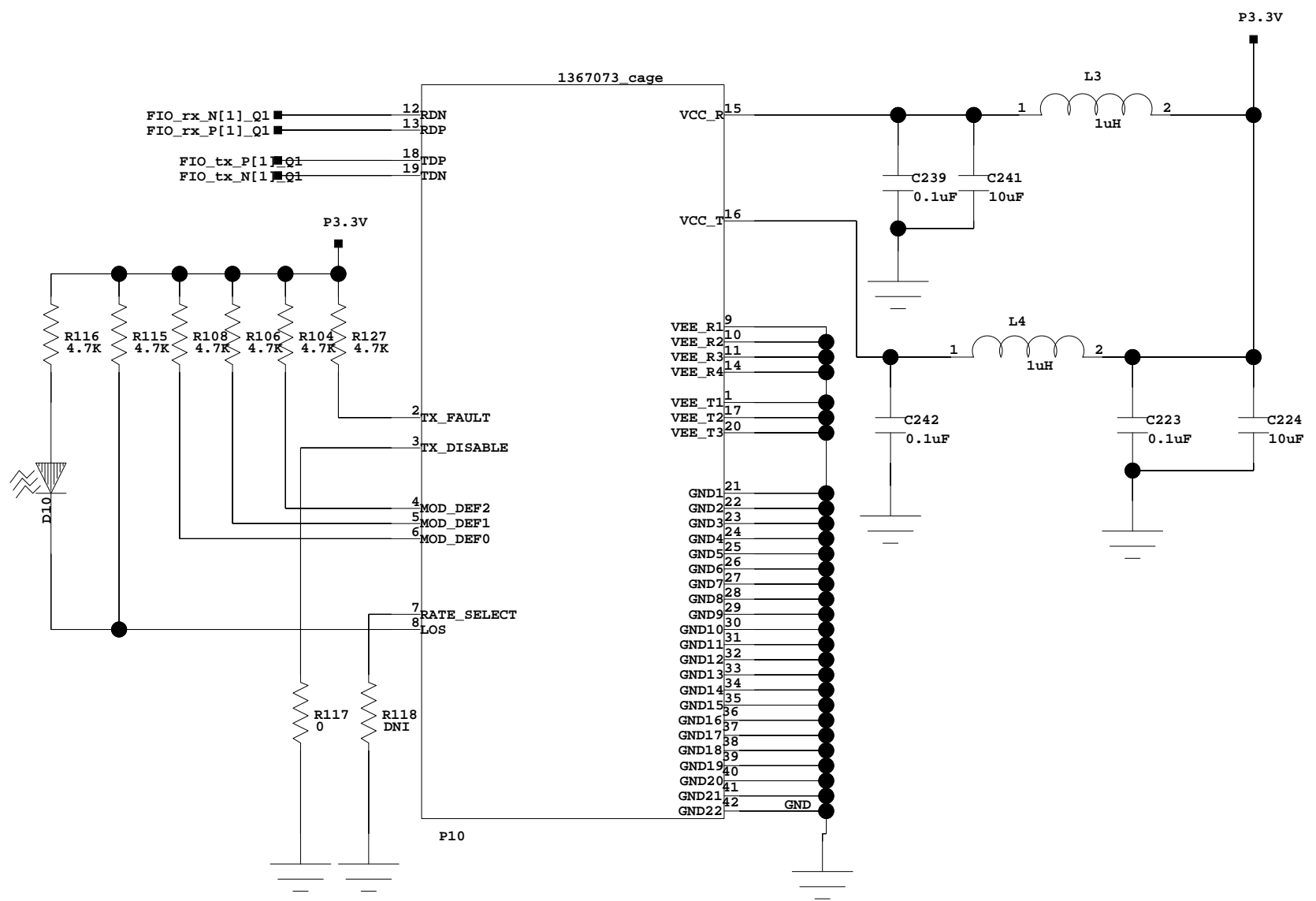
Date: 05/05/2016:17:12
 DRAWN BY: Jack Fried



BROOKHAVEN NATIONAL LABORATORY
 INSTRUMENTATION DIVISION
 BLDG. 535B
 UPTON N.Y. 11973

IMP BACK PLATE DB CONNECTION

Date: 05/05/2016:17:14
 DRAWN BY: Jack Fried



BROOKHAVEN NATIONAL LABORATORY
 INSTRUMENTATION DIVISION
 BLDG. 535B
 UPTON N.Y. 11973

Date: _____ DRAWN BY:
 Jack Fried