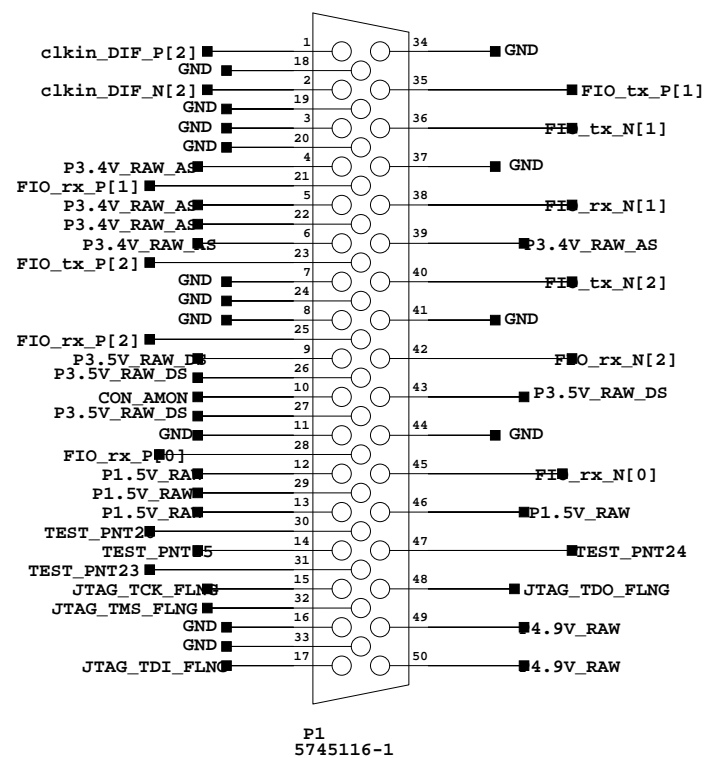
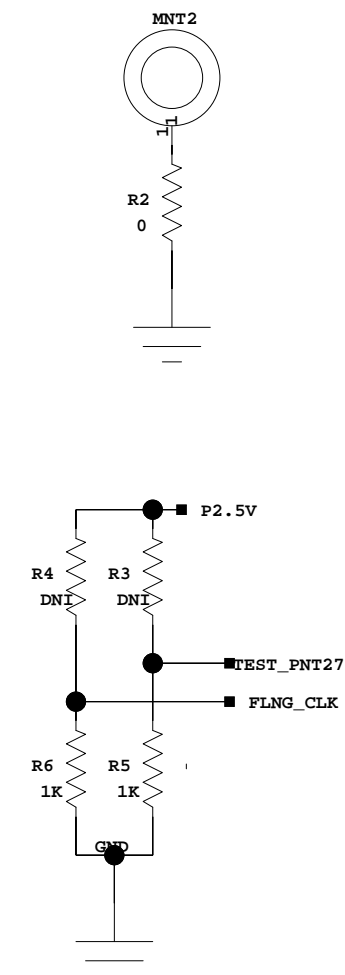
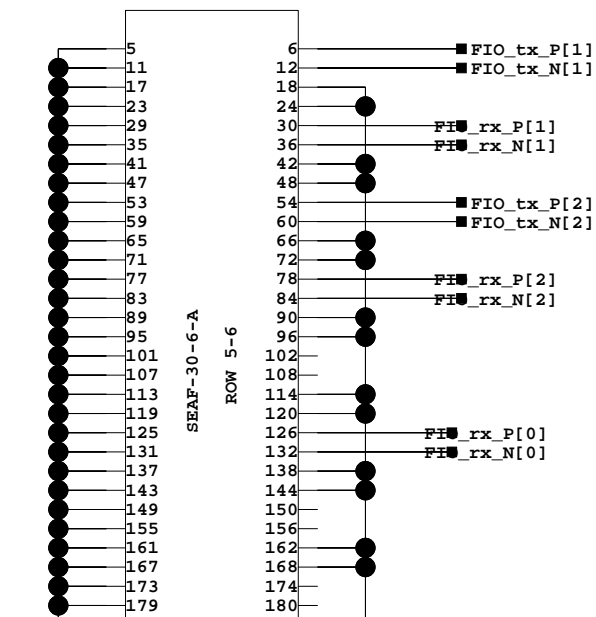
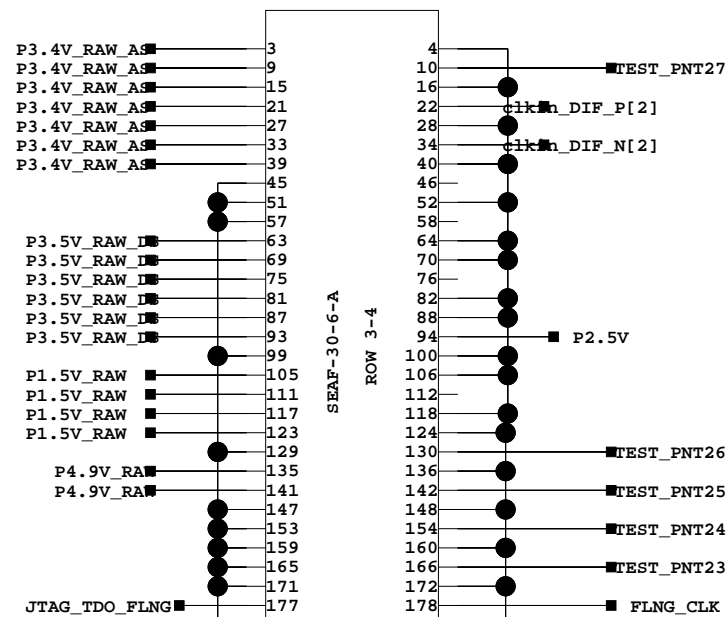
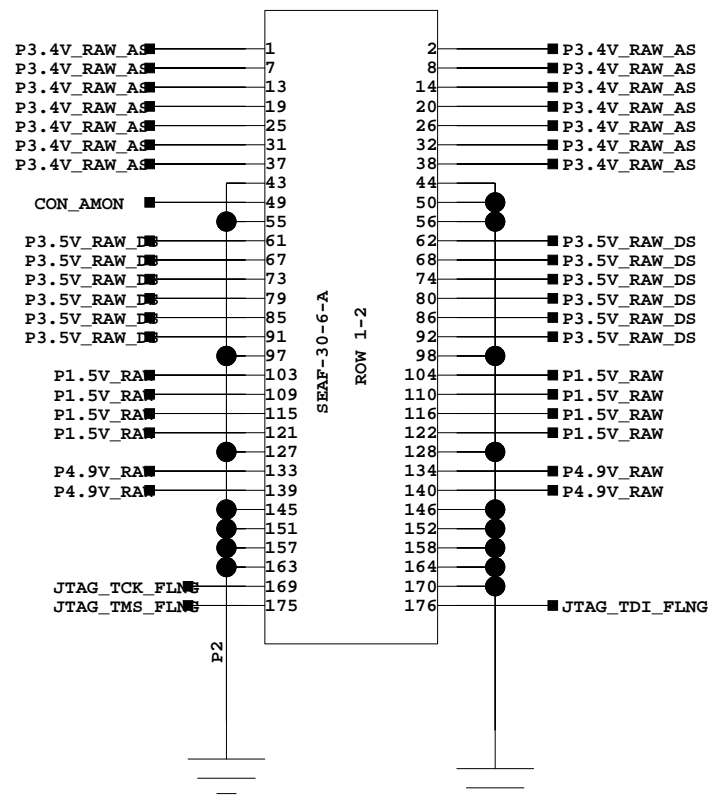


IMP RIGID FLEX



BROOKHAVEN NATIONAL LABORATORY
INSTRUMENTATION DIVISION
BLDG. 535B
UPTON N.Y. 11973

ANSTO RIGID FLEX

Date:
01/05/2015:14:59

DRAWN BY:
Jack Fried