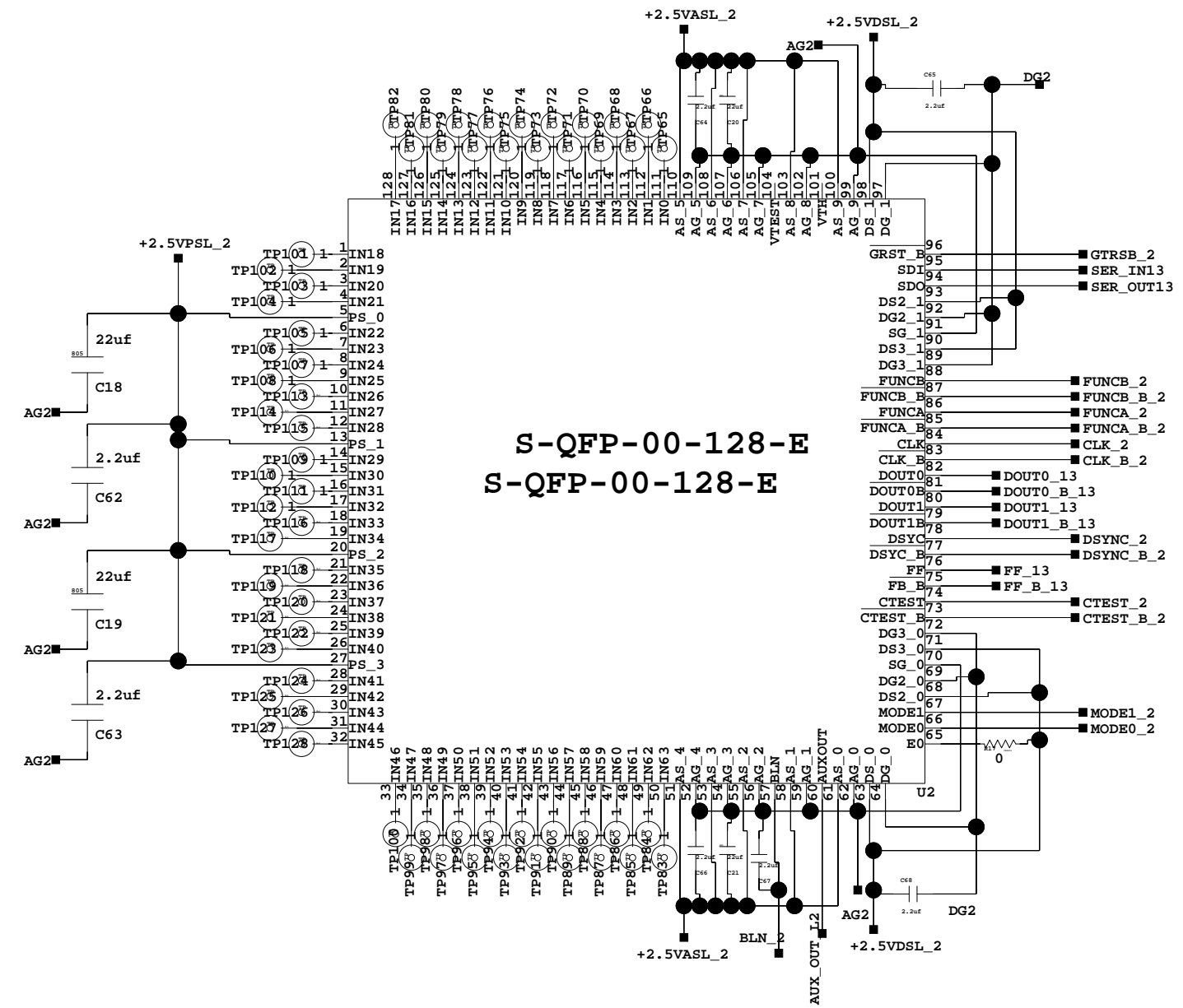
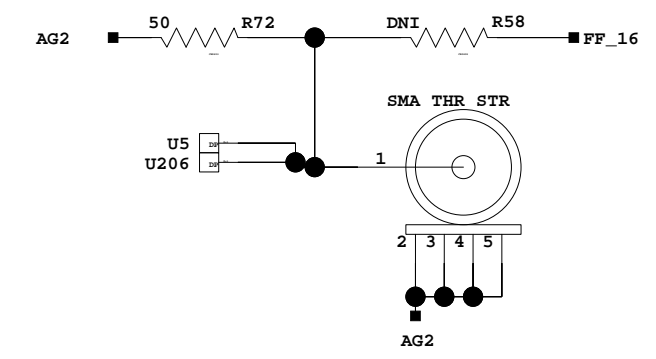
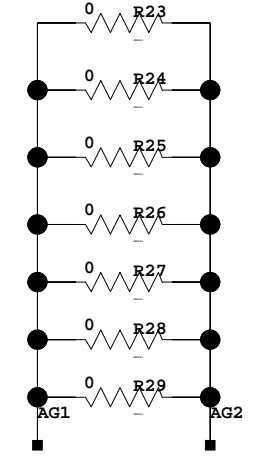
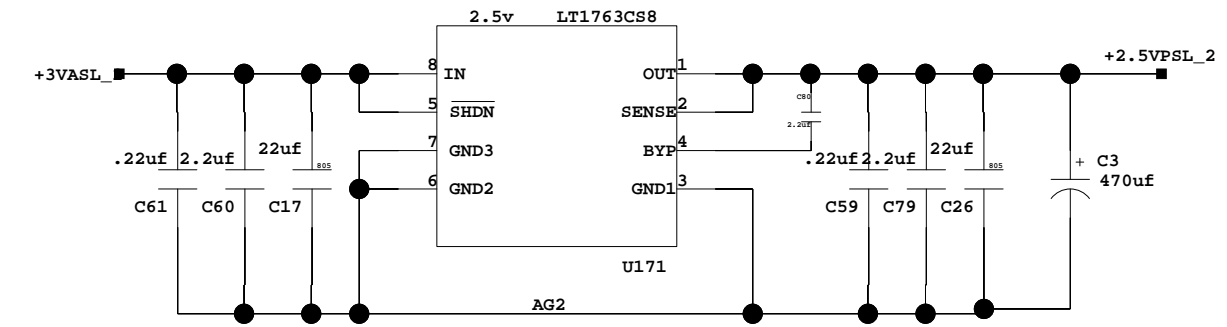
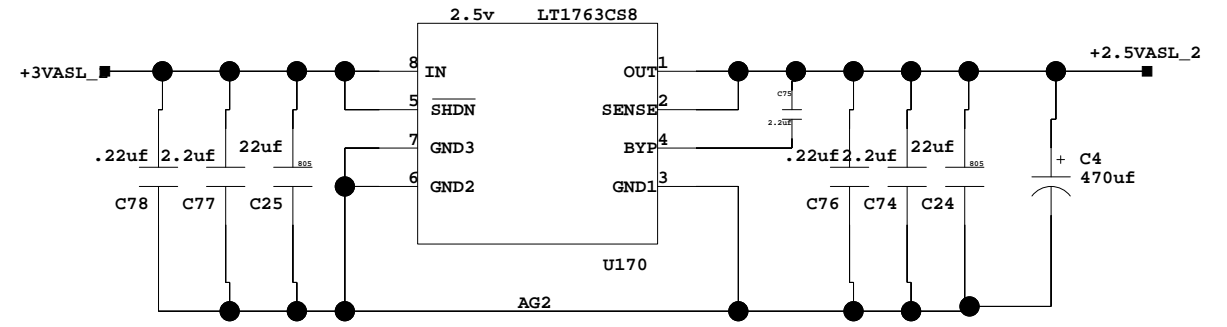
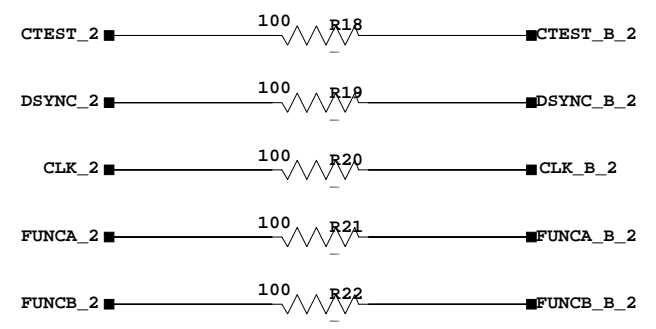


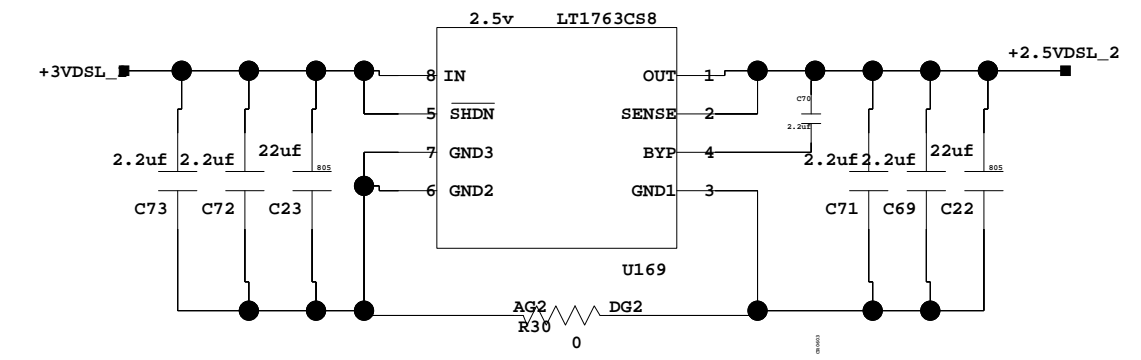
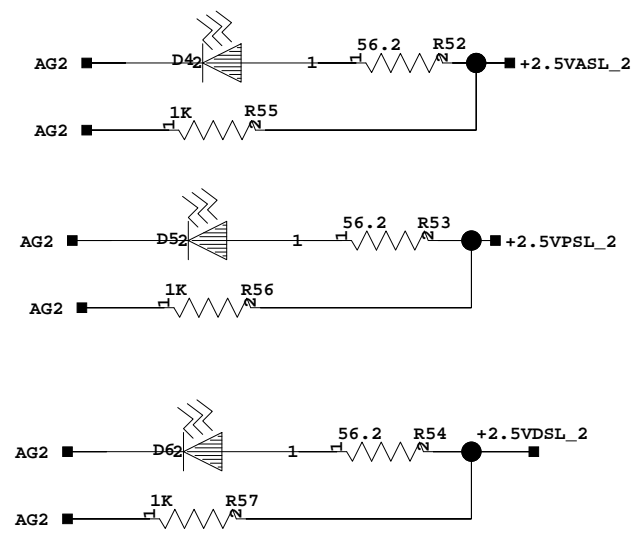
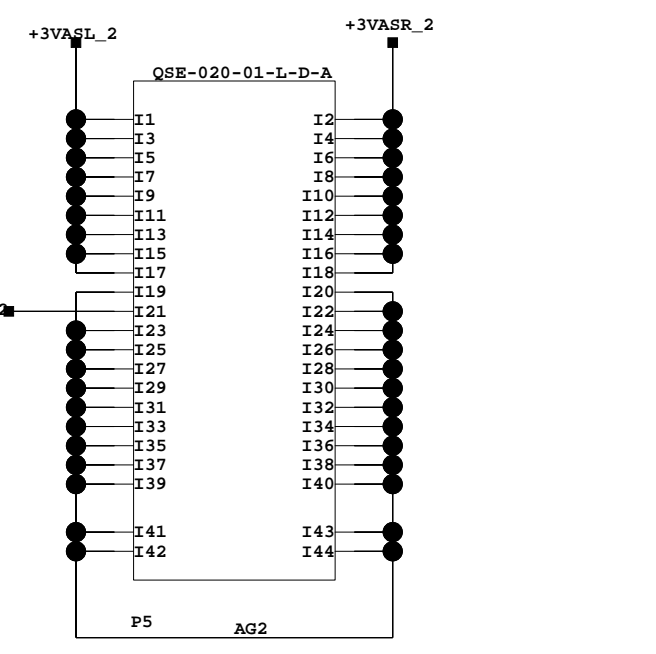
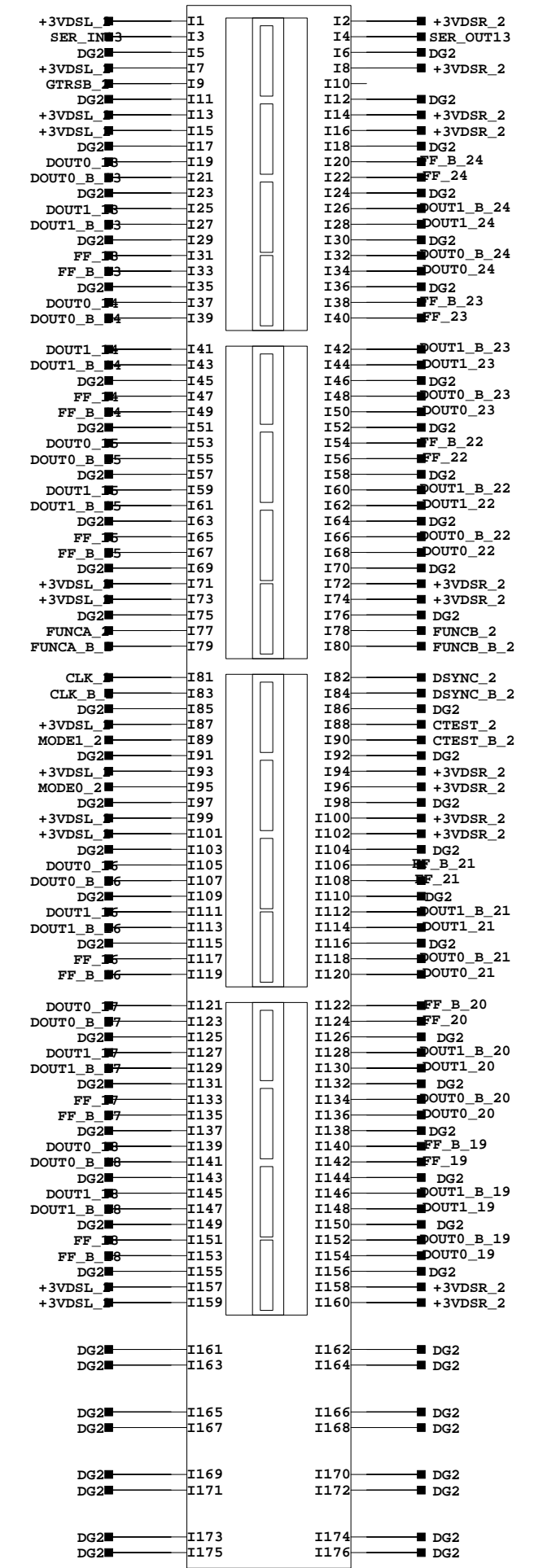
BROOKHAVEN NATIONAL LABORATORY
INSTRUMENTATION DIVISION
BLDG. 535B
UPTON N.Y. 11973

ANSTO CHIP TESTER SOCKET 1 of 3

Date: 30/12/2015:12:59
DRAWN BY: Jack Fried

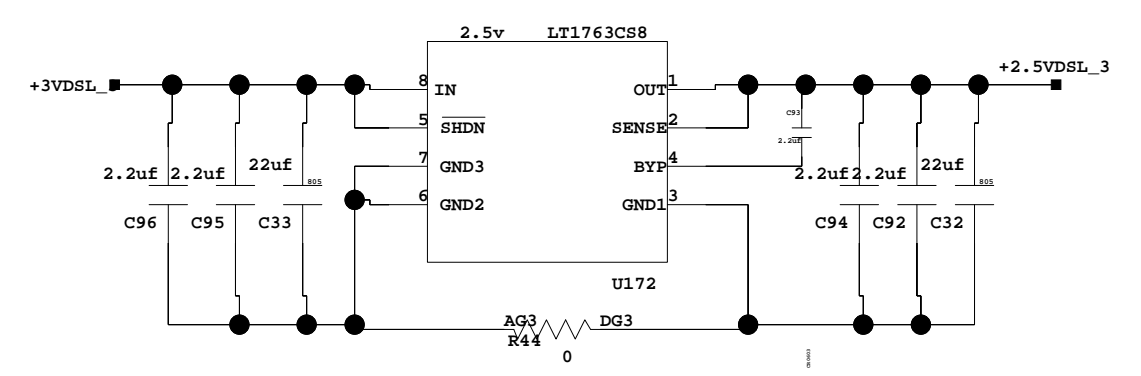
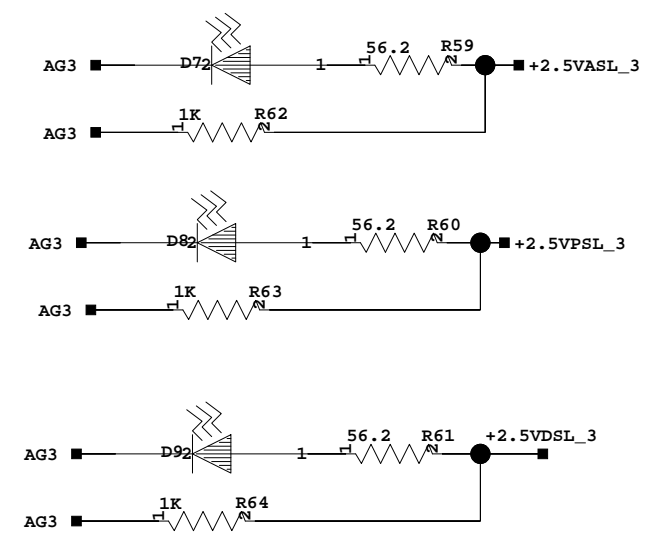
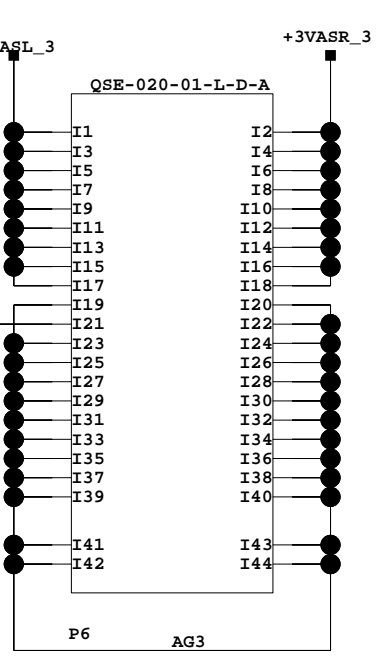
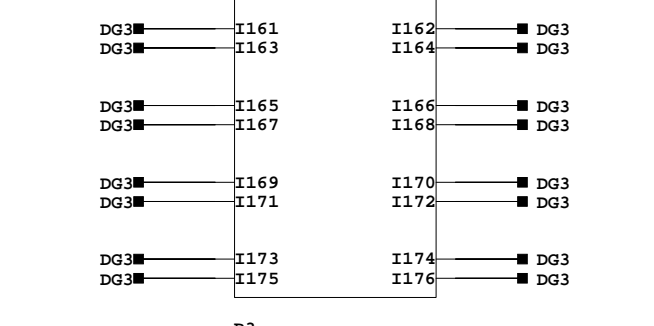
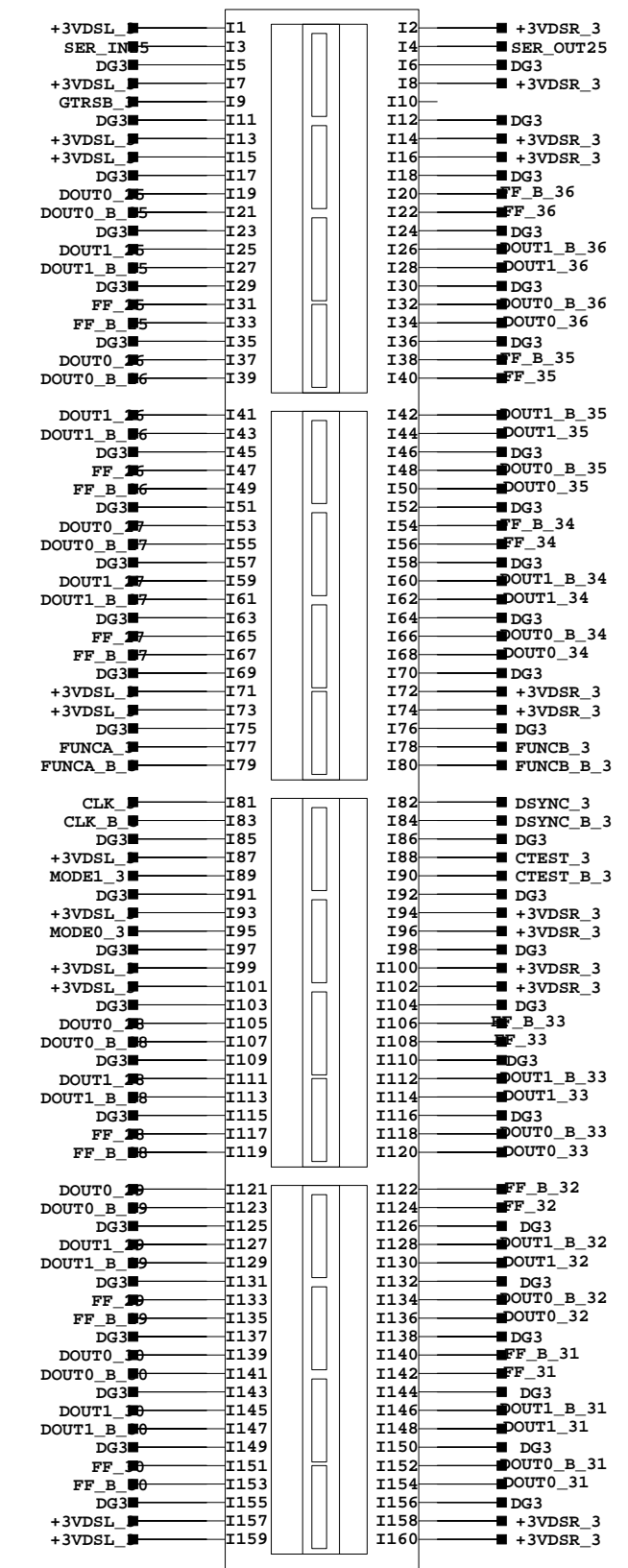
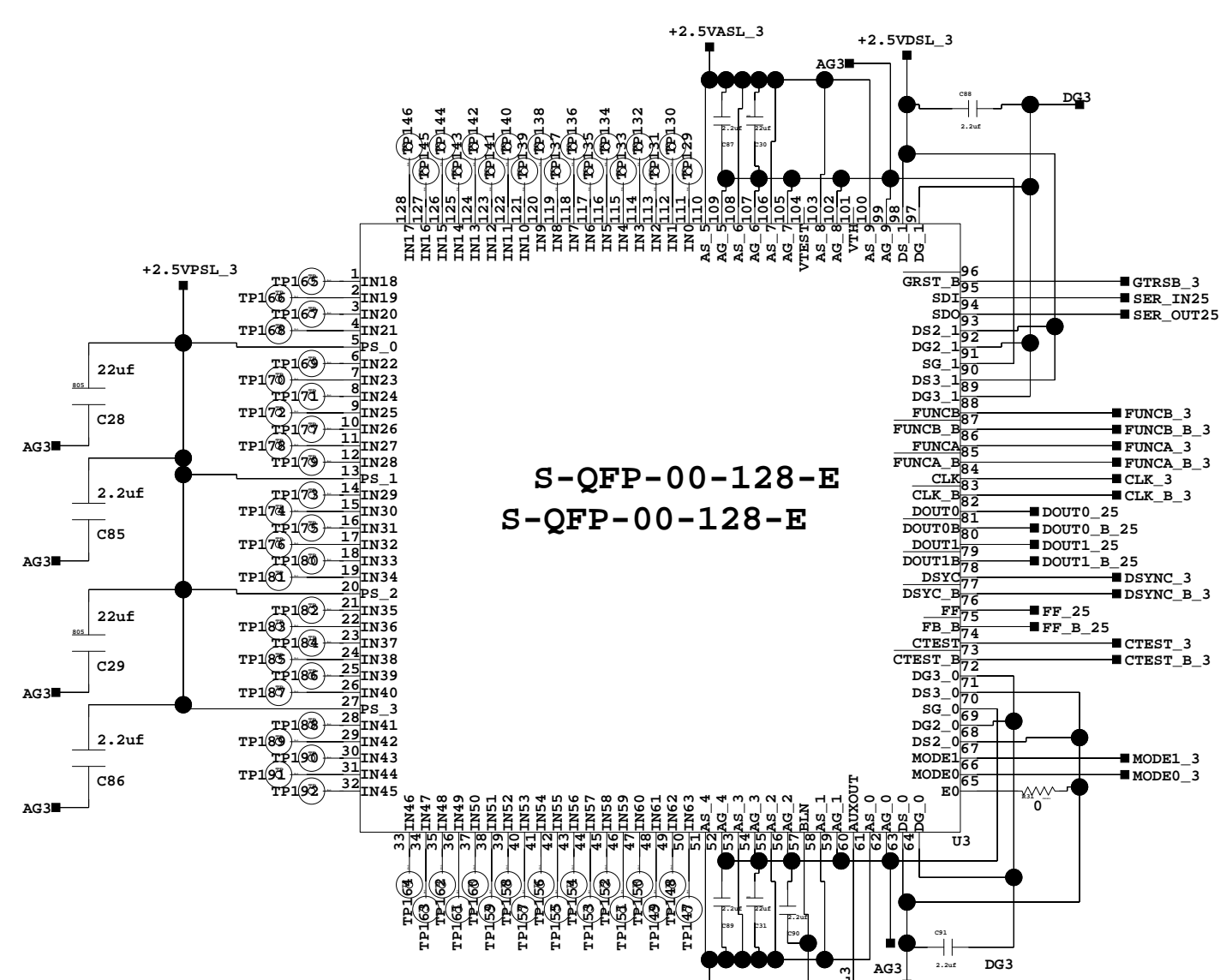
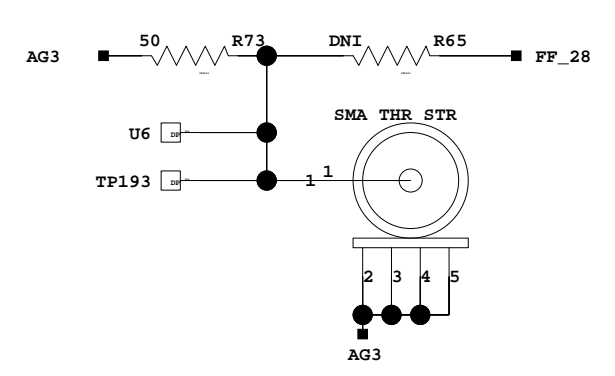
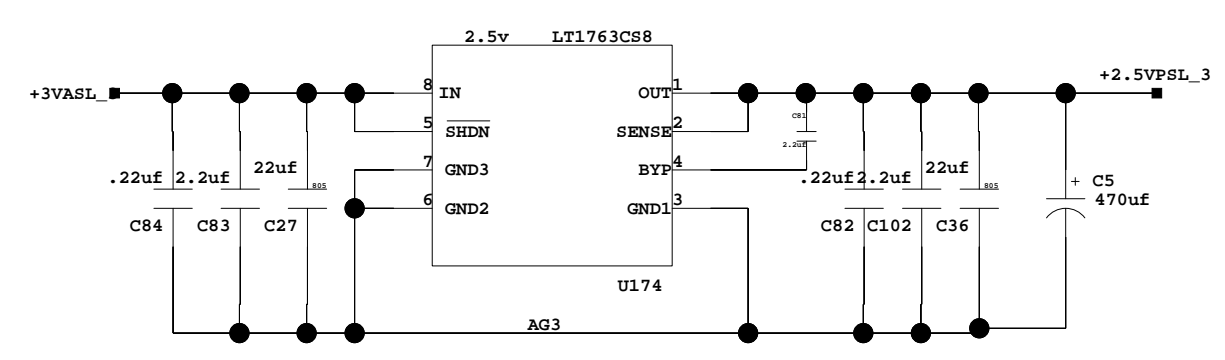
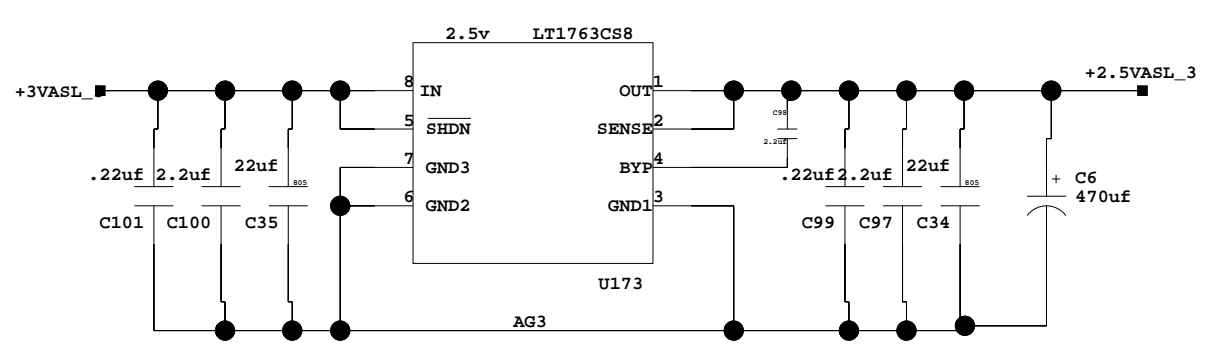
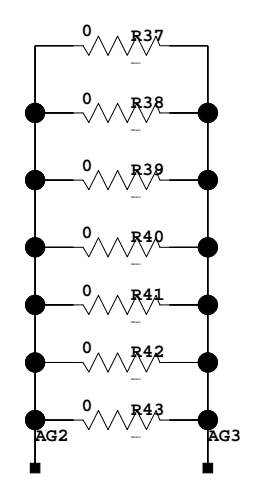
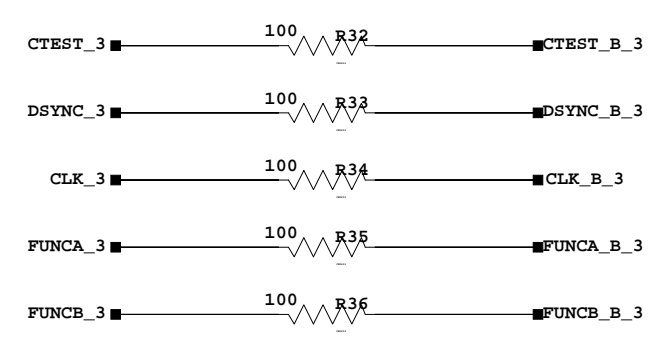


S-QFP-00-128-E
S-QFP-00-128-E



BROOKHAVEN NATIONAL LABORATORY
INSTRUMENTATION DIVISION
BLDG. 535B
UPTON N.Y. 11973

ANSTO CHIP TESTER SOCKET 2 of 3



BROOKHAVEN NATIONAL LABORATORY
 INSTRUMENTATION DIVISION
 BLDG. 535B
 UPTON N.Y. 11973

ANSTO CHIP TESTER SOCKET 3 of 3

Date: 09/11/2015:16:17 DRAWN BY: Jack Fried